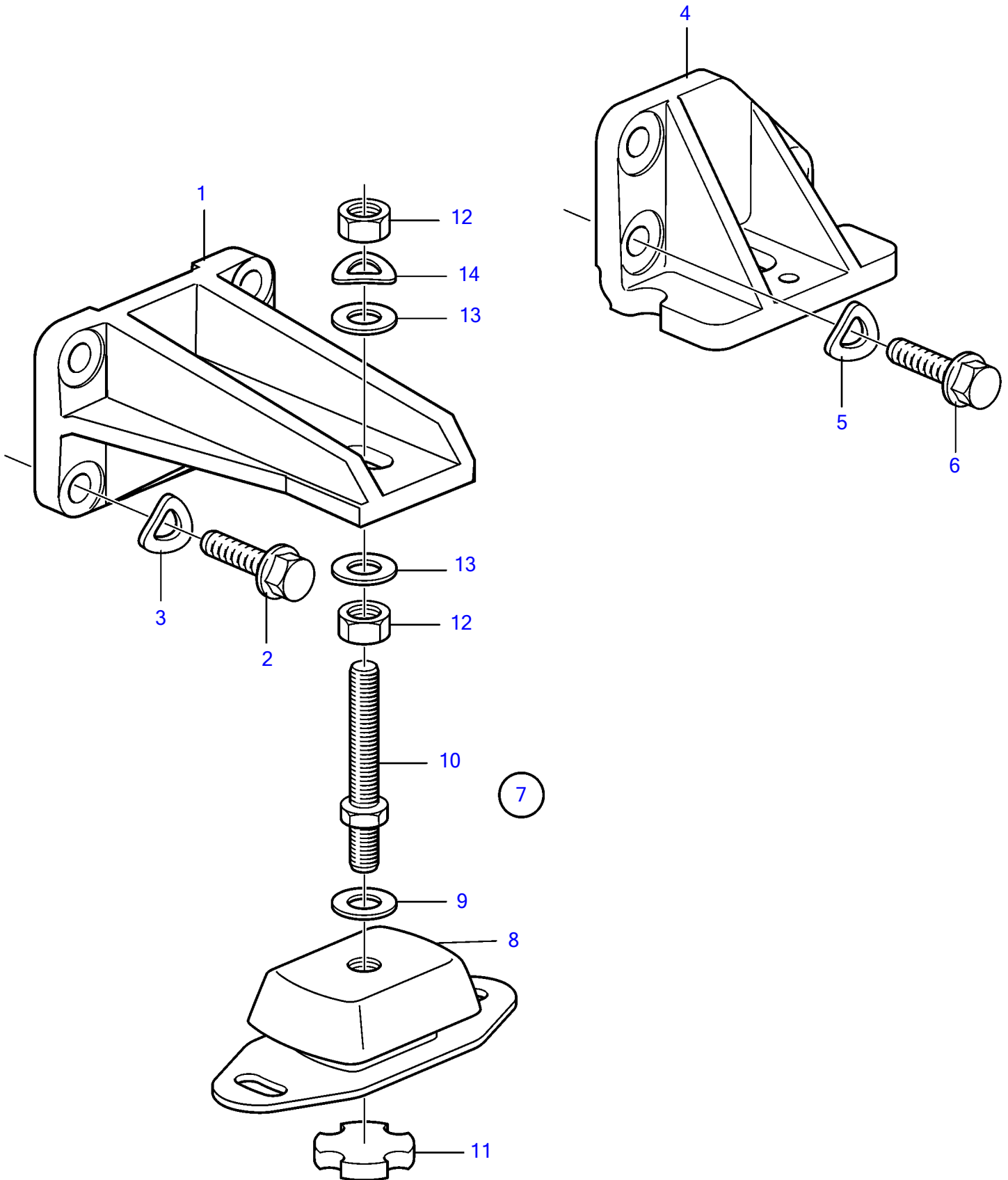


KAMD44P-A, HS1A, HS1E-A



22368

KAMD44P-A, HS1A, HS1E-A

REF	PART NO.	QTY	DESCRIPTION	SEE SEC.	NOTES
1	3580748	2	Engine bracket		Front
2	965192	7	Flange screw		L=40mm
	965193	1	Flange screw		L=50mm
3	940280	8	Spring washer		
4	860952	1	Engine bracket		P, rear
	860954	1	Engine bracket		S.B, rear
5	940280	6	Spring washer		
6	965225	6	Flange screw		
7	858160	4	Rubber cushion		Replaced by 1pc adjusting screw 846768, 1pc washer 955900, 1pc rubber element 858161 och 1pc rubber disc 843299.
			• Bulletin 44-26	44-26-EN	Reinforced Rubber Cushion
8	858161	4	Rubber element		
9	955900	4	Washer		
10	860950	4	Adjusting screw		
11	843299	4	Rubber disc		
12	955806	8	Hexagon nut		
13	955901	4	Washer		D=34mm
	978991	4	Washer		D=40mm
14	941913	4	Spring washer		