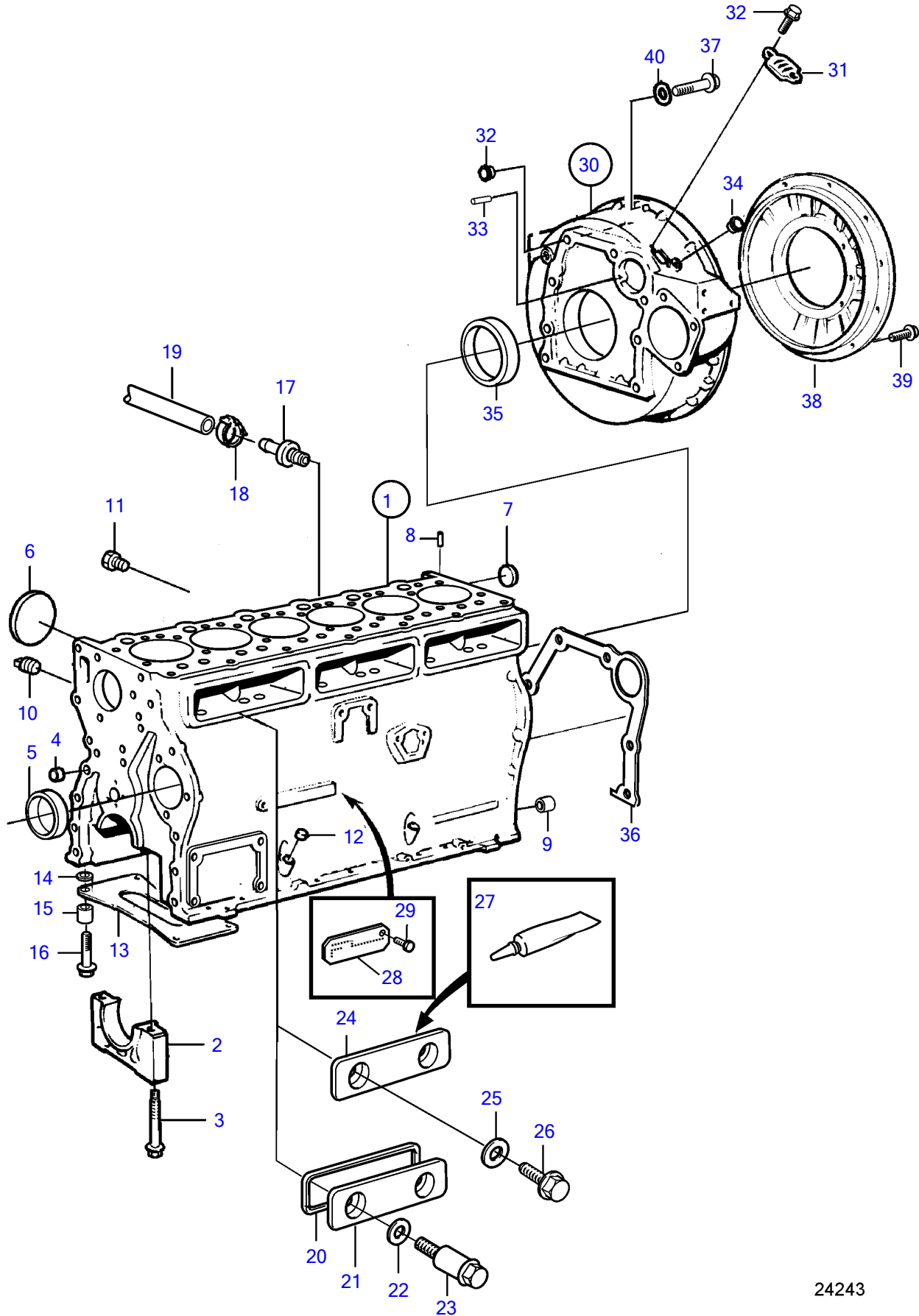


TAMD42WJ-A



24243

TAMD42WJ-A

REF	PART NO.	QTY	DESCRIPTION	NOTES
1	861690	1	Cylinder block	SN-20420116546 Ers av 3583103
	3583103	1	Cylinder block	SN20420116547-
2		7	• Main bearing cap	
3	861005	14	• Screw	
4	955083	4	• Cap plug	
5	1542067	7	• Camshaft bushing	
6	463905	5	• Expansion plug	
7	968955	1	• Expansion plug	(1542263)
8	946402	2	• Grooved pin	
9	415311	3	• Guide sleeve	
10	479977	2	Plug	
11	479979	5	Plug	
12	955082	2	Cap plug	
13	1545159	1	Foot plate	
14	3850090	4	Spacer	(1545204)
15	1545160	4	Spacer sleeve	
16	965187	4	Flange screw	
17	947893	1	Shut-off cock	
18	943470	1	Hose clamp	
19	952967	1	Hose	
20	1542052	3	Sealing	Early type
21	1542050	3	Inspection lid	Early type
22	469846	6	Sealing ring	Early type
23	859447	6	Shoulder screw	Early type
24	877262	3	Inspection lid	Late type
25	18666	6	• Gasket	Late type
26	965185	6	• Flange screw	Late type
27	1161231	X	Sealant	Late type, 310ml
	1161277	X	Sealant	Black, 20g, Late type
28		1	Sign	
29		2	Drive screw	
30	3581825	1	Flywheel housing	
31	407092	1	Cover	
32	967949	2	Flange screw	
33	404069	1	Pin	
34	860926	2	Plug	
35	3582851	1	Sealing ring	(860971)
36	829487	1	Gasket	
37	965185	6	Flange screw	L=40mm
	965220	2	Flange screw	L=45mm
38	829489	1	Cardboard tube	
39	946752	11	Flange screw	
40	941908	8	Spring washer	