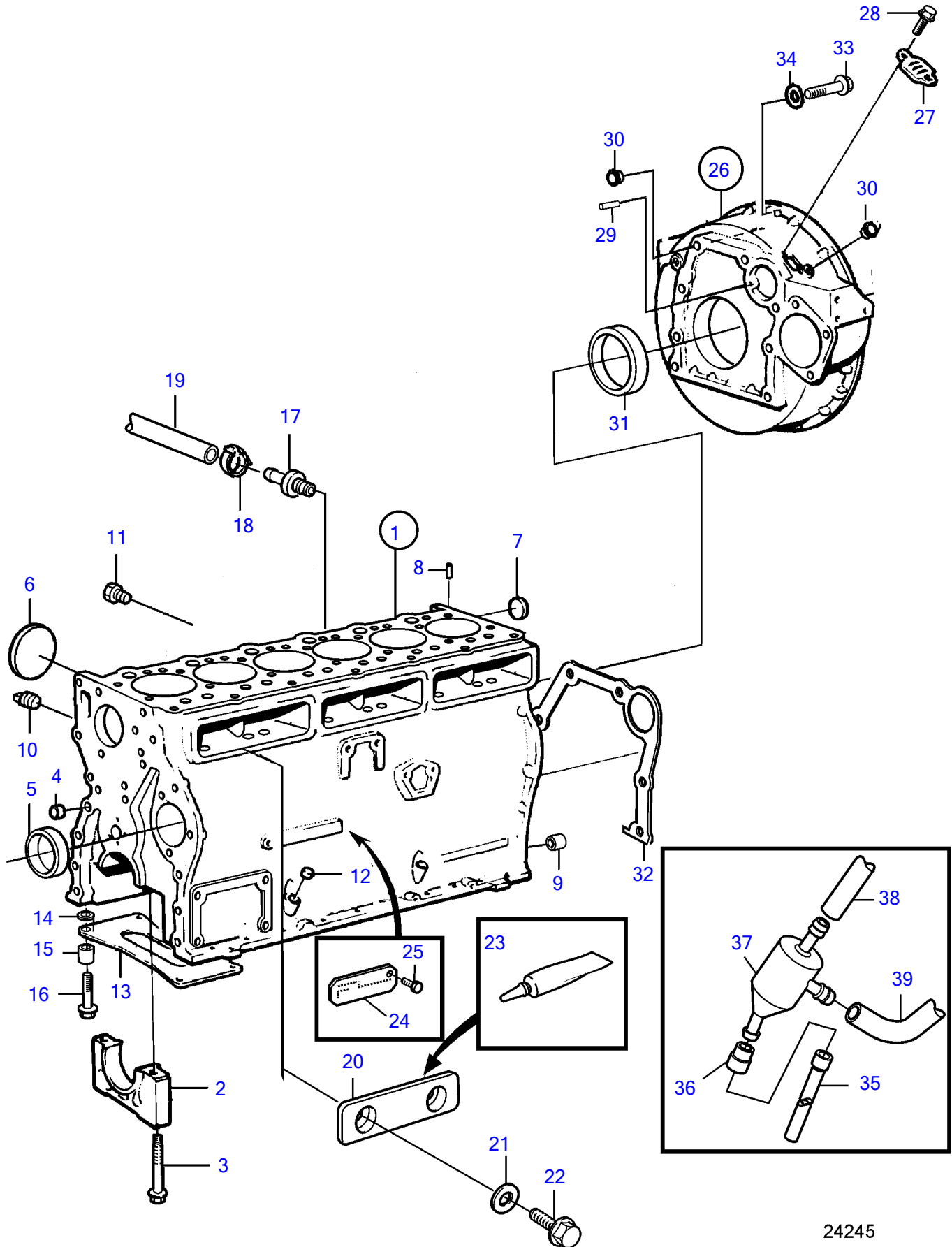


, KAMD300-A



24245

, KAMD300-A

REF	PART NO.	QTY	DESCRIPTION	SEE SEC.	NOTES
1	3583103	1	Cylinder block		
2		7	• Main bearing cap		
3	861005	14	• Screw		
4	955083	4	• Cap plug		
5	1542067	7	• Camshaft bushing		
6	463905	5	• Expansion plug		
7	968955	1	• Expansion plug		
8	946402	2	• Grooved pin		
9	415311	3	• Guide sleeve		
10	479977	2	Plug		
11	479979	5	Plug		
12	955082	1	Cap plug		
13	1545159	1	Foot plate		
14	3850090	4	Spacer		(1545204)
15	1545160	4	Spacer sleeve		
16	965187	4	Flange screw		
17	860819	1	Hose nipple		
18	943470	1	Hose clamp		
19	952967	1	Hose		L=900mm
20	877262	3	Inspection lid		
21	18666	6	• Gasket		
22	965185	6	• Flange screw		
23	1161277	X	Sealant		Black, 20g
	1161231	X	Sealant		310ml
24		1	Sign		
25		2	Drive screw		
26	3581825	1	Flywheel housing		
27	407092	1	Cover		
28	967949	2	Flange screw		
29	404069	1	Pin		
30	860926	2	Plug		
31	3582851	1	Sealing ring		(860971)
32	829487	1	Gasket		
33	965185	6	Flange screw		L=40mm
	965220	2	Flange screw		L=45mm
34	941908	8	Spring washer		
35	829579	1	Tube		
36	843533	1	Rubber cushion		
37	3581104	1	Oil separator		
38	3581202	1	Hose	3029	
39	949995	1	Hose		

7738870-21-4879

24245

Upd:2012-02-13