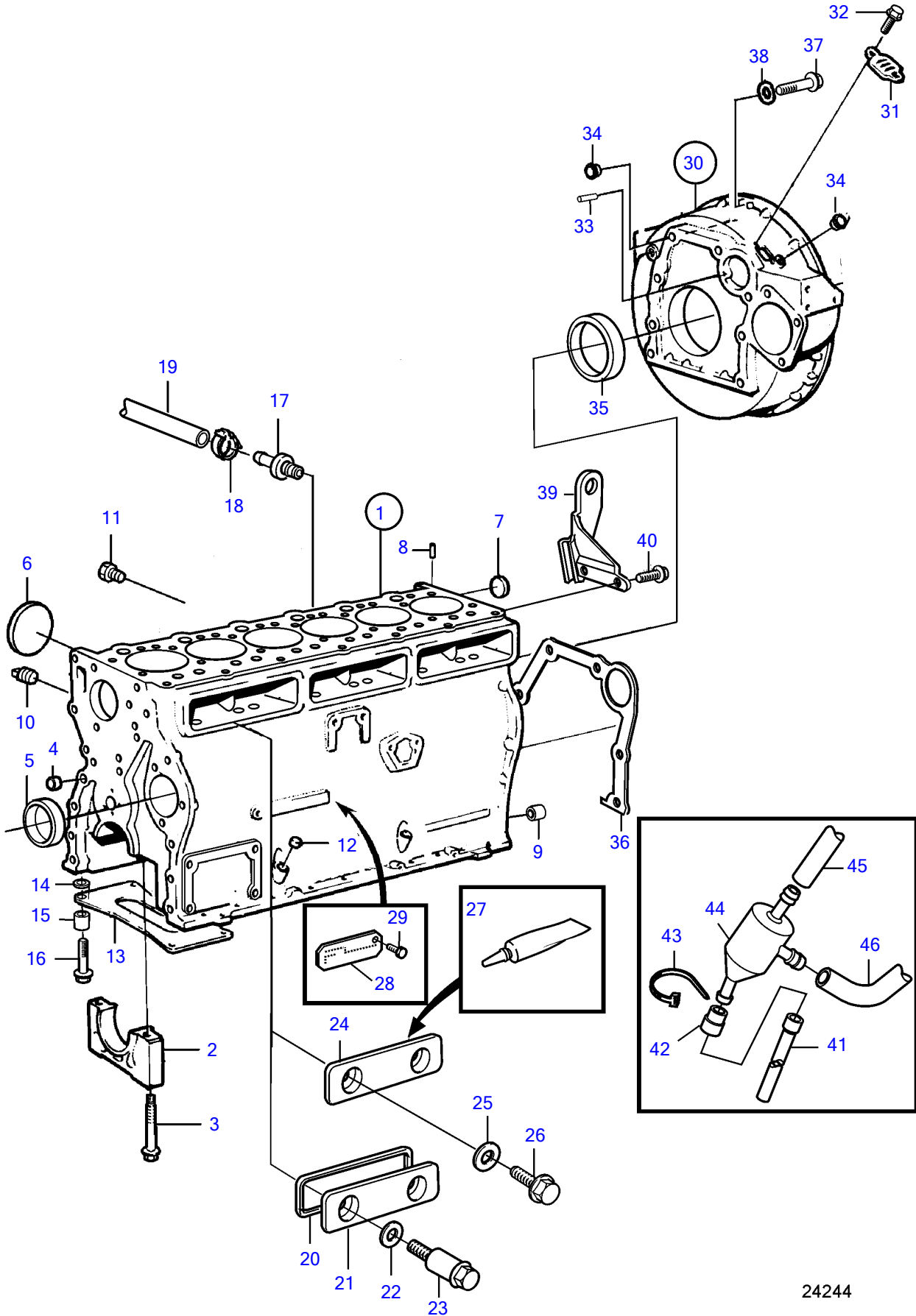


KAD44P-A, KAD44P-B, KAD44P-C, KAMD44P-A, KAMD44P-B, KAMD44P-C



24244

KAD44P-A, KAD44P-B, KAD44P-C, KAMD44P-A, KAMD44P-B, KAMD44P-C

REF	PART NO.	QTY	DESCRIPTION	SEE SEC.	NOTES
1	861690	1	Cylinder block		SN-2044010925
	3583103	1	Cylinder block		SN2044010926-
2		7	• Main bearing cap		
3	861005	14	• Screw		
4	955083	4	• Cap plug		
5	1542067	7	• Camshaft bushing		
6	463905	5	• Expansion plug		
7	968955	1	• Expansion plug		
8	946402	2	• Grooved pin		
9	415311	3	• Guide sleeve		
10	479977	2	Plug		
11	479979	5	Plug		
12	955082	1	Cap plug		
13	1545159	1	Foot plate		
14	3850090	4	Spacer		(1545204)
15	1545160	4	Spacer sleeve		
16	965187	4	Flange screw		
17	860819	1	Hose nipple		
18	943470	1	Hose clamp		
19	952967	1	Hose		L=900mm
20	1542052	3	Sealing		Early type
21	1542050	3	Inspection lid		Early type
22	469846	6	Sealing ring		Early type
23	859447	6	Shoulder screw		Early type
24	877262	3	Inspection lid		Late type
25	18666	6	• Gasket		Late type
26	965185	6	• Flange screw		Late type
27	1161231	X	Sealant		Late type, 310ml
	1161277	X	Sealant		Black, 20g, Late type
28		1	Sign		
29		2	Drive screw		
30	3581825	1	Flywheel housing		
31	407092	1	Cover		
32	967949	2	Flange screw		
33	404069	1	Pin		
34	860926	2	Plug		
35	3582851	1	Sealing ring		(860971)
36	829487	1	Gasket		
37	965185	6	Flange screw		L=40mm
	965220	2	Flange screw		L=45mm
38	941908	8	Spring washer		
41	829579	1	Tube		
42	843533	1	Rubber cushion		
43	948211	1	Cable tie		
44	3581104	1	Oil separator		
45	3581202	1	Hose	3029	
46	949995	1	Hose		

7738870-21-3402B

24244

Upd:2012-02-13