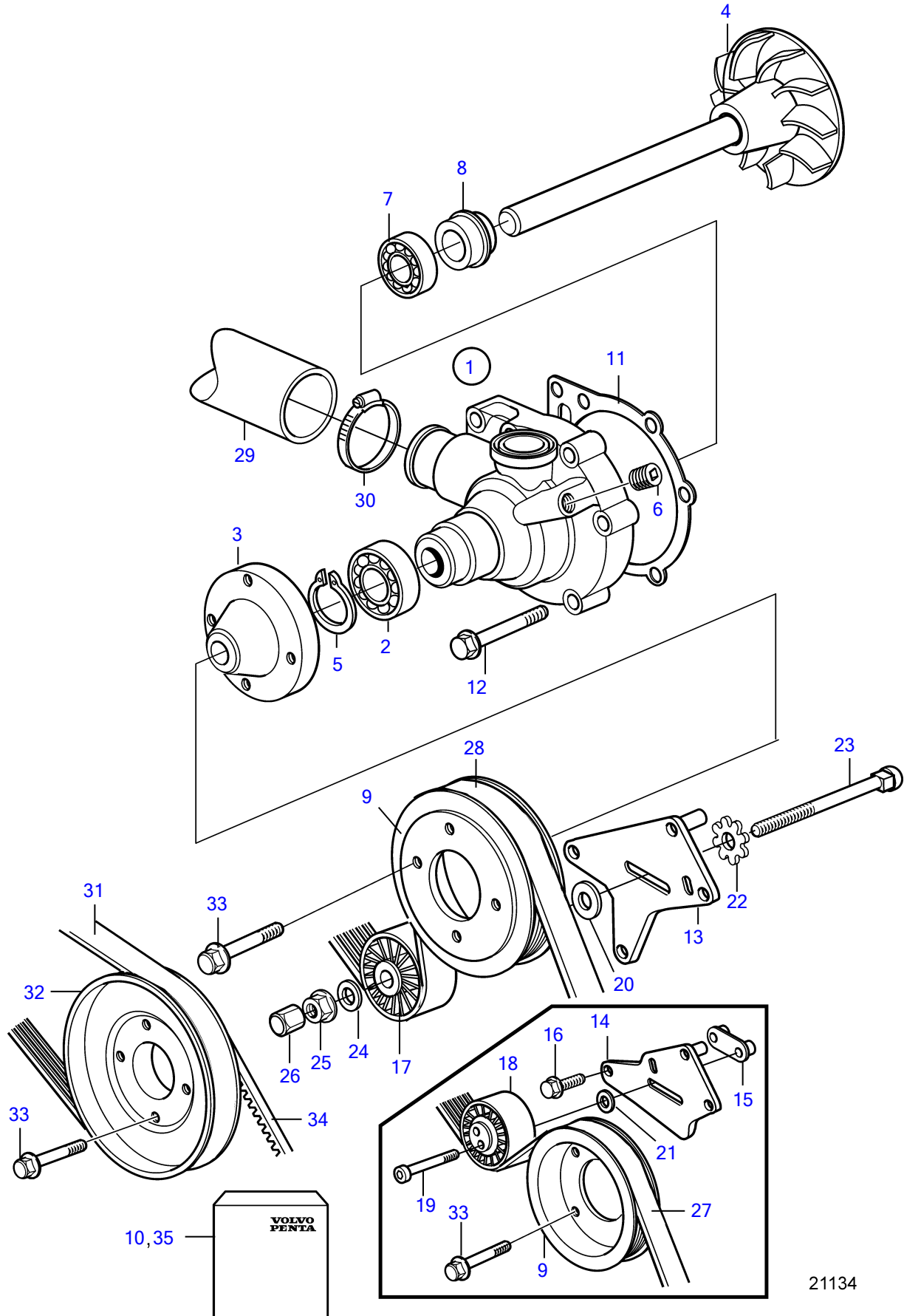


KAD32P-A



## KAD32P-A

REF	PART NO.	QTY	DESCRIPTION	SEE SEC.	NOTES
1	3580785	1	Water pump		Replaced by 1 pc 3809412, coolant pump, 1 pc 3588385, pulley and 4 pcs 947760, flange screw.
	3809412	1	Water pump		
	3803869	1	Coolant pump, exch		
2	(184861)	1	• Ball bearing		Included in overhaul kit., Obsolete part
3	(3588402)	1	• Hub		Obsolete part
4	3583087	1	• Impeller		Included in overhaul kit.
5	914462	1	• Snap ring		Included in overhaul kit.
6	479977	1	• Plug		
7	1660609	1	• Ball bearing		Included in overhaul kit.
8	1676432	1	• Sealing ring		Included in overhaul kit.
9	861541	1	Pulley		For water pump 3580785
	3588385	1	Pulley		For water pump 3809412
10	876793	1	Repair kit	3434	
11	859027	1	Gasket		Included in overhaul kit.
12	947760	6	Flange screw		
13	3582167	1	Bracket		Included in service kit.
17	3582324	1	Tension pulley		Included in service kit.
20	3582189	1	Spacer		Included in service kit.
22	3582168	1	Gear		Included in service kit.
23	982331	1	Square neck screw		Included in service kit.
24	976945	1	Washer		Included in service kit., (960148)
25	971095	1	Flange nut		Included in service kit.
26	3582677	1	Nut		Included in service kit.
28	3582424	1	Drive belt		
29	3581470	1	Hose		Circulation pump-heat exchanger.
30	943478	1	Hose clamp		
31	3581460	1	Drive belt		
32	3581472	1	Pulley		
33	947760	4	Flange screw		
34	977542	1	V-belt		
35	877180	1	Service kit	3434	
			• Bulletin 44-48	44-48-EN	Belt tensioner Upgrade Kit for D32, 42WJ, 42, 42, 44