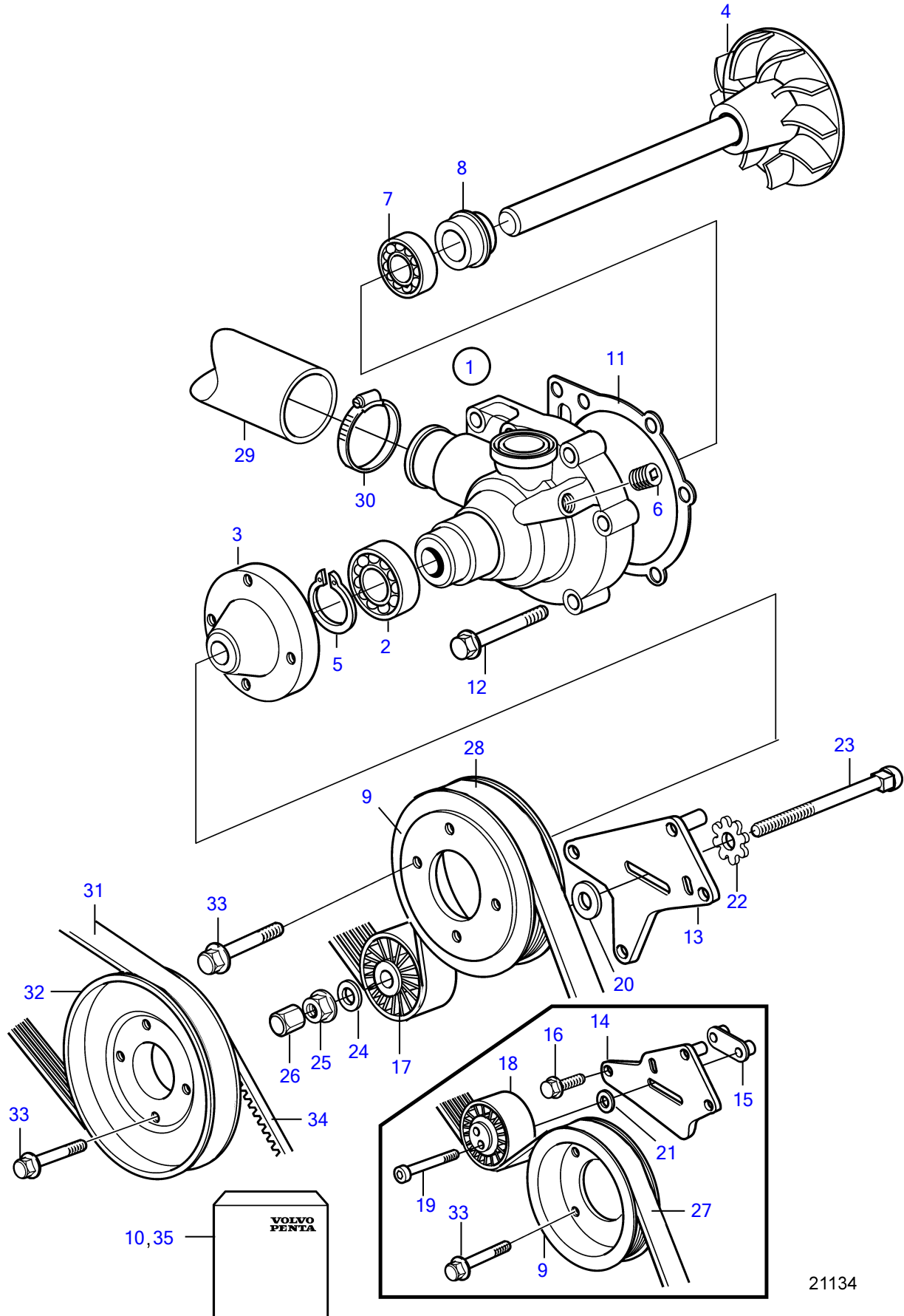


KAD32P-A



21134

KAD32P-A

| REF | PART NO. | QTY | DESCRIPTION | SEE SEC. | NOTES |
|-----|-----------|-----|--------------------|----------|--|
| 1 | 3580785 | 1 | Water pump | | Replaced by 1 pc 3809412, coolant pump, 1 pc 3588385, pulley and 4 pcs 947760, flange screw. |
| | 3809412 | 1 | Water pump | | |
| | 3803869 | 1 | Coolant pump, exch | | |
| 2 | (184861) | 1 | • Ball bearing | | Included in overhaul kit., Obsolete part |
| 3 | (3588402) | 1 | • Hub | | Obsolete part |
| 4 | 3583087 | 1 | • Impeller | | Included in overhaul kit. |
| 5 | 914462 | 1 | • Snap ring | | Included in overhaul kit. |
| 6 | 479977 | 1 | • Plug | | |
| 7 | 1660609 | 1 | • Ball bearing | | Included in overhaul kit. |
| 8 | 1676432 | 1 | • Sealing ring | | Included in overhaul kit. |
| 9 | 861541 | 1 | Pulley | | For water pump 3580785 |
| | 3588385 | 1 | Pulley | | For water pump 3809412 |
| 10 | 876793 | 1 | Repair kit | 3434 | |
| 11 | 859027 | 1 | Gasket | | Included in overhaul kit. |
| 12 | 947760 | 6 | Flange screw | | |
| 14 | 861560 | 1 | Bracket | | |
| 15 | 861652 | 1 | Lock washer | | |
| 16 | 946441 | 1 | Flange screw | | |
| 18 | 861563 | 1 | Tension pulley | | |
| 19 | 959245 | 1 | Hex. socket screw | | |
| 21 | 960144 | 1 | Washer | | |
| 27 | 861564 | 1 | Drive belt | | |
| 29 | 3581470 | 1 | Hose | | Circulation pump-heat exchanger. |
| 30 | 943478 | 1 | Hose clamp | | |
| 31 | 3581460 | 1 | Drive belt | | |
| 32 | 3581472 | 1 | Pulley | | |
| 33 | 947760 | 4 | Flange screw | | |
| 34 | 977542 | 1 | V-belt | | |
| 35 | 877180 | 1 | Service kit | 3434 | |
| | | | • Bulletin 44-48 | 44-48-EN | Belt tensioner Upgrade Kit for D32, 42WJ, 42, 42, 44 |