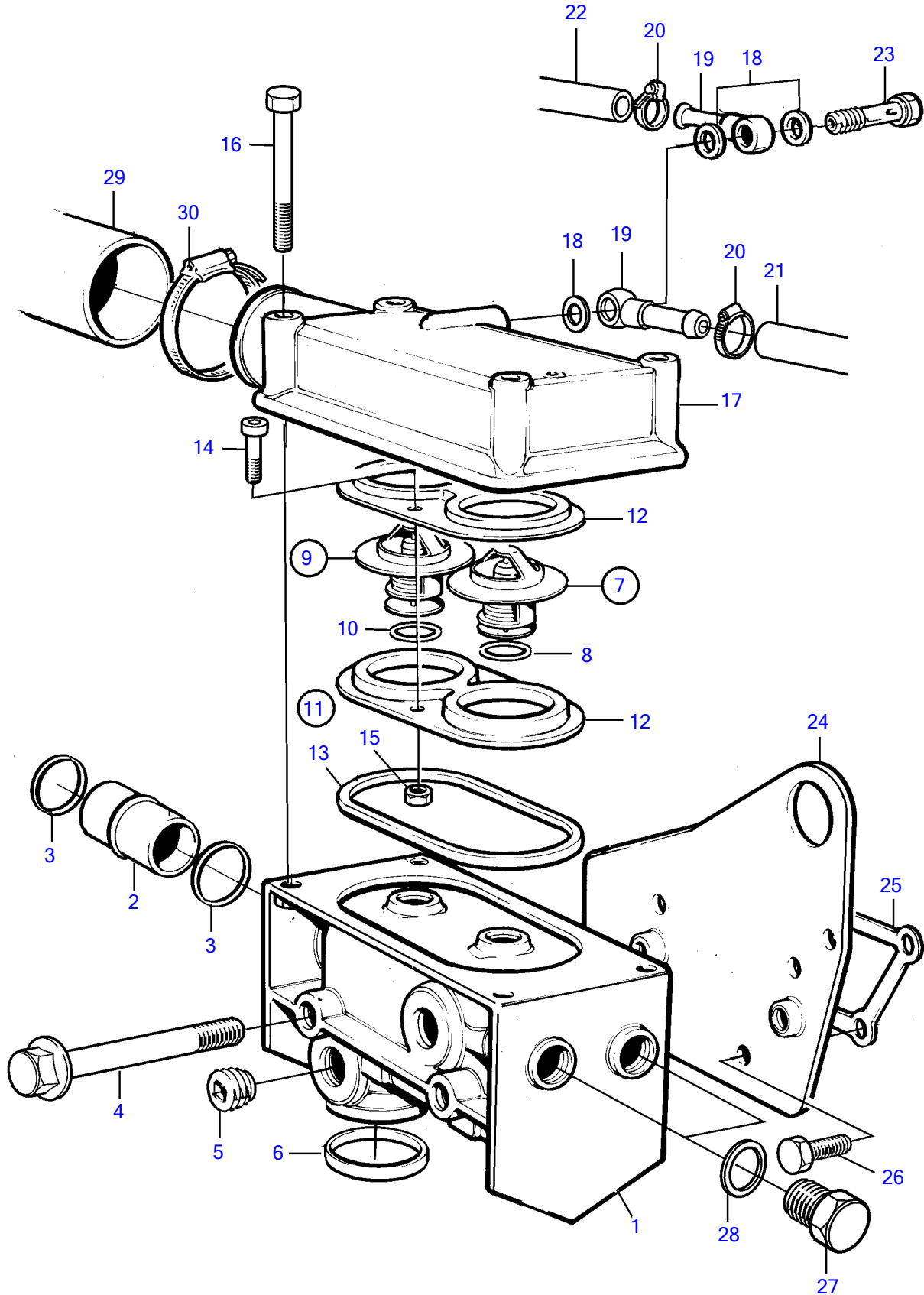


KAD32P-A



KAD32P-A

REF	PART NO.	QTY	DESCRIPTION	NOTES
1	3583098	1	Thermostat housing	(838704)
2	838739	1	Adapter	
3	968927	2	O-ring	
4	965183	2	Flange screw	
5	479977	2	Plug	
6	3583913	1	Sealing ring	(1542198)
7	3831424	1	Thermostat kit	81°C (876128)
8	416033	1	• Sealing ring	
9	3831424	1	Thermostat kit	81°C (875849)
10	416033	1	• Sealing ring	
11	876145	1	Retainer kit	
12	859229	2	• Retainer	
13	838807	1	• Sealing ring	
14	963554	2	• Hexagon screw	
15	966170	2	• Lock nut	
16	965217	4	Flange screw	
17	860449	1	Cardboard tube	Obsolete part
18	11994	3	Gasket	
19	858750	2	Banjo nipple	
20	945652	2	Hose clamp	
21	942700	X	Hose	Turbo-thermostat housing., L=760mm
22	942700	X	Hose	Expansion tank-thermostat housing., L=440mm
23	947975	1	Hollow screw	
24	860518	1	Adapter	
25	1542187	1	Gasket	
26	955295	4	Hexagon screw	
27	960632	1	Plug	
28	11998	1	Gasket	
29	3581469	1	Hose	Thermostat housing-heat exchanger.
30	943478	1	Hose clamp	