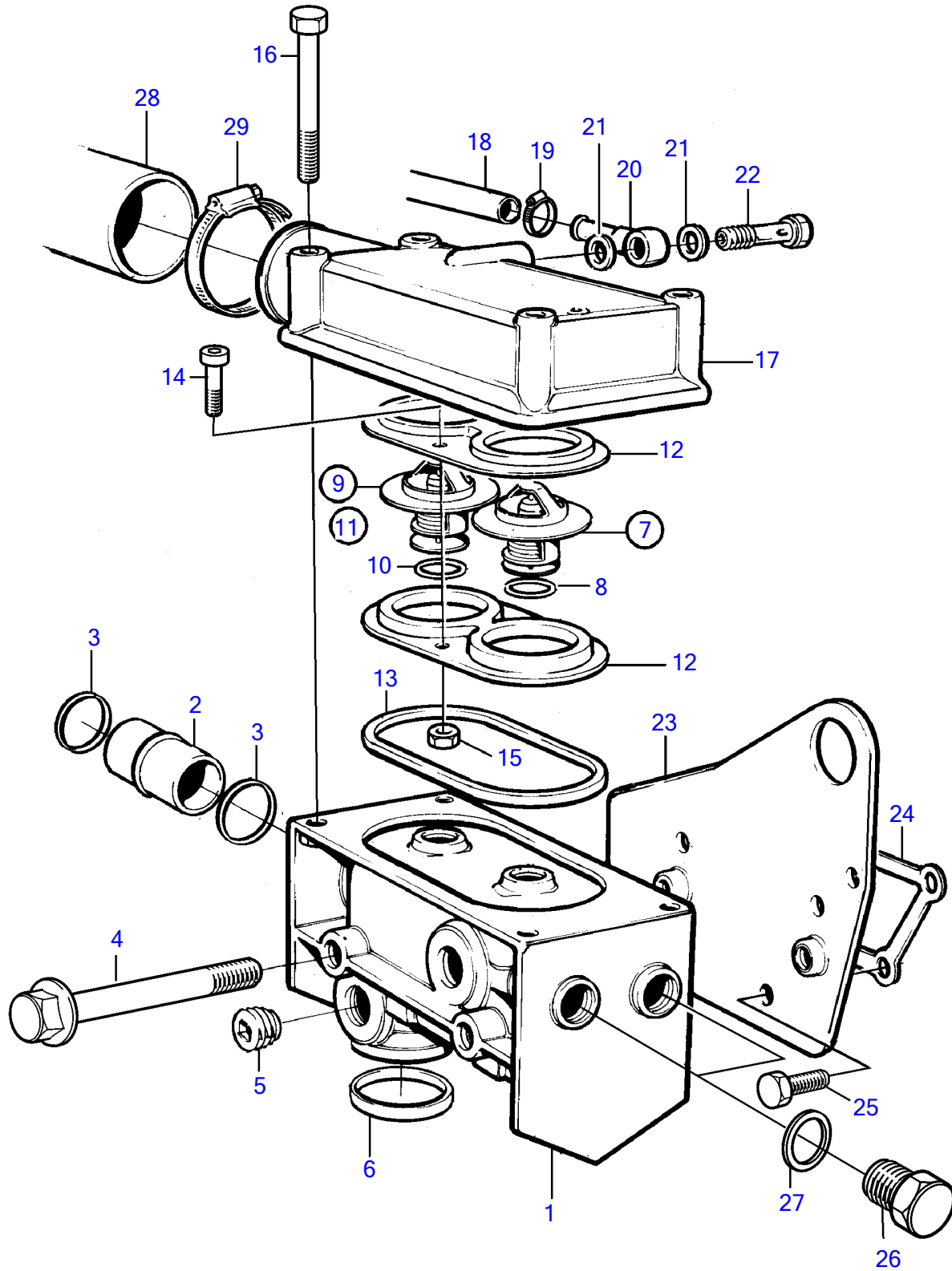


KAD44P-A, KAD44P-B, KAD44P-C, KAMD44P-A, KAMD44P-B, KAMD44P-C



KAD44P-A, KAD44P-B, KAD44P-C, KAMD44P-A, KAMD44P-B, KAMD44P-C

REF	PART NO.	QTY	DESCRIPTION	NOTES
1	3583098	1	Thermostat housing	(838704)
2	838739	1	Adapter	
3	968927	2	O-ring	
4	965183	2	Flange screw	
5	479977	2	Plug	
6	3583913	1	Sealing ring	(1542198)
7	3831424	1	Thermostat kit	81°C (876128)
8	416033	1	• Sealing ring	
9	3831424	1	Thermostat kit	81°C (875849)
10	416033	1	• Sealing ring	
11	876145	1	Retainer kit	
12	859229	2	• Retainer	
13	838807	1	• Sealing ring	
14	963554	2	• Hexagon screw	
15	966170	2	• Lock nut	
16	965217	4	Flange screw	
17	860449	1	Cardboard tube	Obsolete part
18	942700	1	Hose	Expansion tank-thermostat housing., L=580mm
19	945652	2	Hose clamp	
20	858750	1	Banjo nipple	
21	11994	2	Gasket	
22	969299	1	Hollow screw	
23	860518	1	Adapter	
24	1542187	1	Gasket	
25	955295	4	Hexagon screw	
26	960632	1	Plug	
27	11998	1	Gasket	
28	861109	1	Hose	Thermostat housing-heat exchanger.
29	943478	1	Hose clamp	