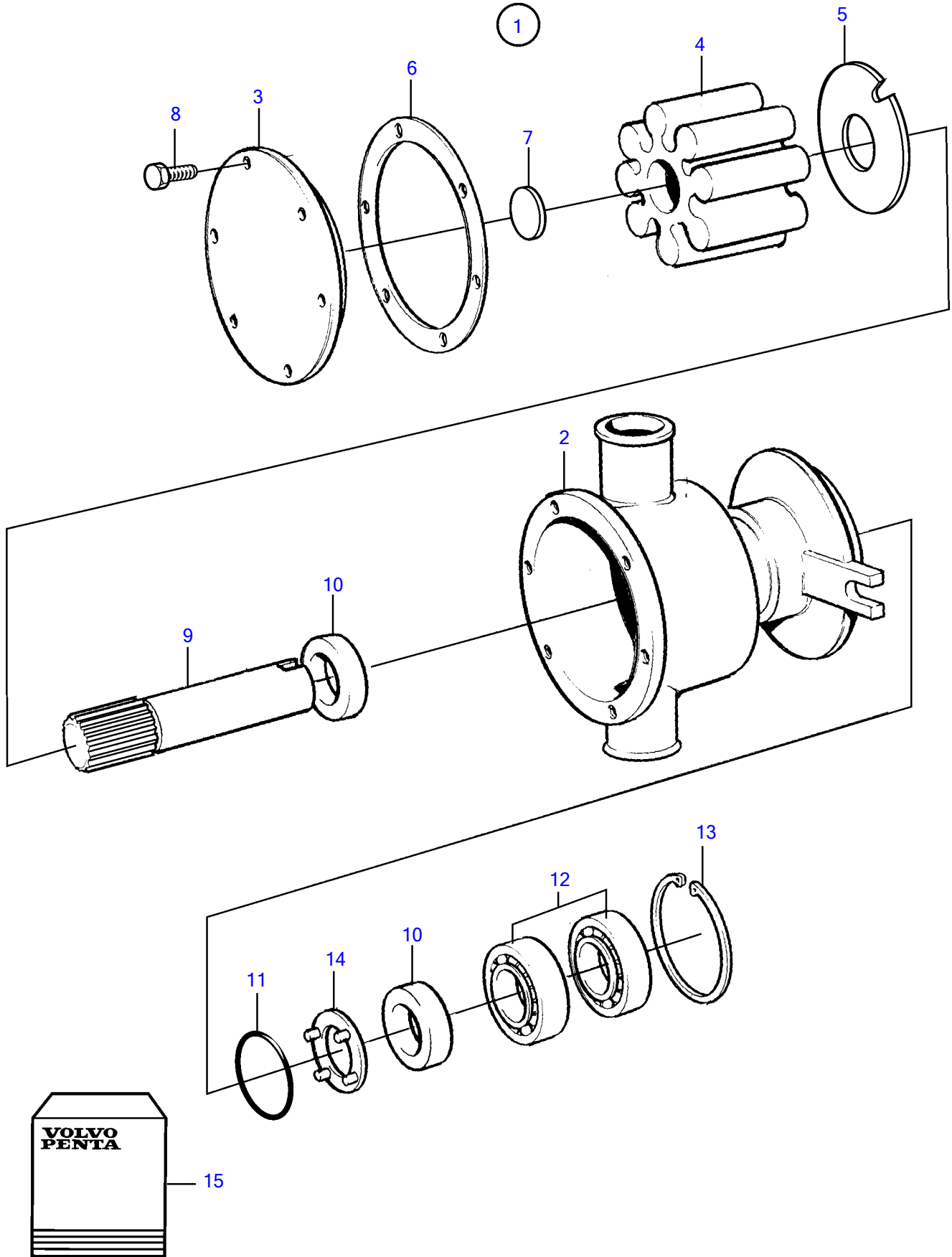


, KAMD300-A



, KAMD300-A

REF	PART NO.	QTY	DESCRIPTION	NOTES
1	3583095	1	Sea water pump	
2		1	• Housing	
3	3581617	1	• Cardboard tube	Included in overhaul kit.
4		1	• Impeller	Included in impeller kit.
5		1	• Wear plate	
6	3581618	1	• O-ring	Included in impeller kit.
7	827019	1	• Washer	Included in impeller kit.
8	841693	6	• Screw	Included in overhaul kit.
9		1	• Shaft	Included in overhaul kit.
10	827247	2	• Sealing ring	Included in overhaul kit.
11	960166	1	• O-ring	Included in overhaul kit.
12	11010	2	• Ball bearing	Included in overhaul kit.
13	914523	1	• Snap ring	Included in overhaul kit.
14	844580	1	• Support washer	
15	877373	1	Repair kit	See group 99
	3841697	1	Impeller kit	See group 99

7738870-26-3400C

18360

Upd:2012-02-13