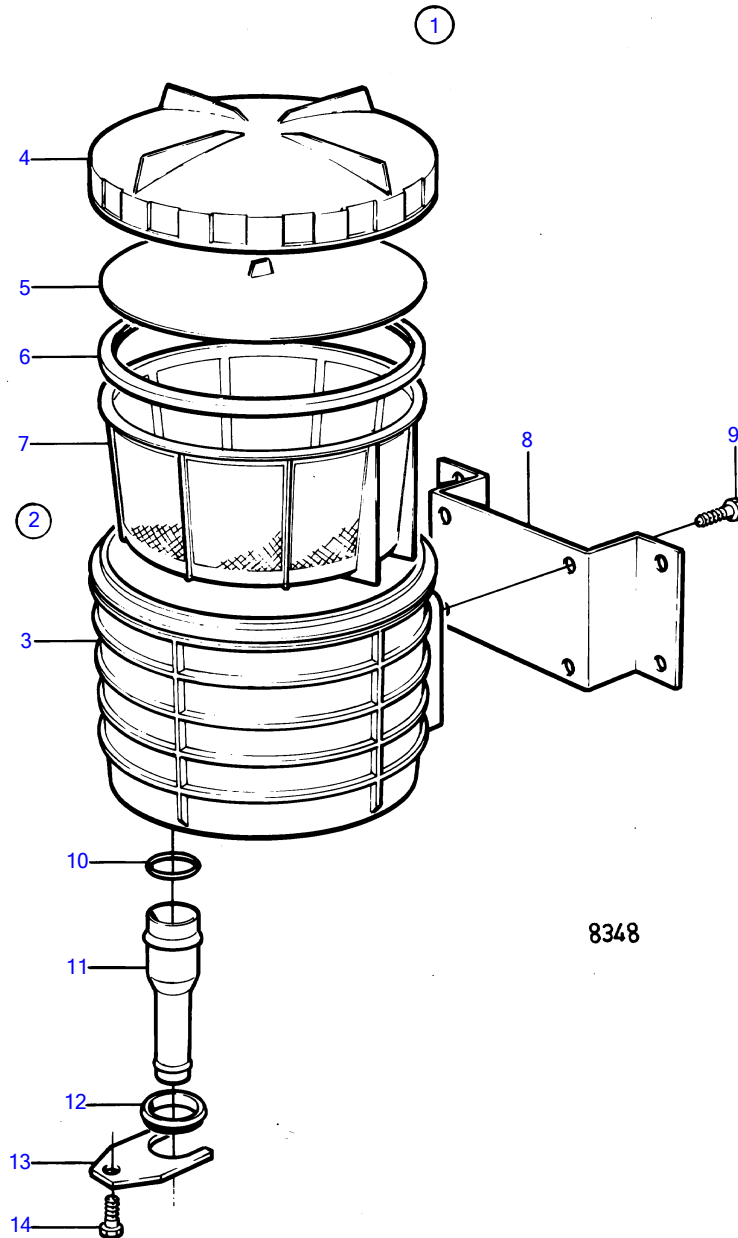


KAD32P, KAD32P-A, TAMD42WJ-A, KAD43P, KAD43P-A, KAMD43P, KAMD43P-A, KAD44P, KAD44P-A, KAD44P-B, KAD44P-C, KAMD44P, KAMD44P-A, KAMD44P-B, KAMD44P-C, KAD300, , KAMD300, KAMD300-A



KAD32P, KAD32P-A, TAMD42WJ-A, KAD43P, KAD43P-A, KAMD43P, KAMD43P-A, KAD44P, KAD44P-A, KAD44P-B, KAD44P-C, KAMD44P, KAMD44P-A, KAMD44P-B, KAMD44P-C, KAD300, , KAMD300, KAMD300-A

| REF | PART NO. | QTY | DESCRIPTION | NOTES |
|-----|----------|-----|----------------------|---------|
| 1 | 858843 | 1 | Seawater sieve kit | D=32mm |
| 2 | 845337 | 1 | • Sea water filter | |
| 3 | 845338 | 1 | • • Strainer housing | |
| 4 | 845317 | 1 | • • • Cover | |
| 5 | 845328 | 1 | • • • Pressure plate | |
| 6 | 838977 | 1 | • • • Sealing | |
| 7 | 858081 | 1 | • • • Strainer | |
| 8 | 845960 | 1 | • Bracket | |
| 9 | 940199 | 4 | • Hexagon screw | |
| 10 | 845354 | 2 | • Sealing ring | |
| 11 | 847106 | 1 | • Hose connection | L=80mm |
| | 838582 | 1 | • Hose connection | L=125mm |
| 12 | 847017 | 2 | • Pipe retainer | |
| 13 | 847018 | 2 | • Brace | |
| 14 | 940199 | 2 | • Hexagon screw | |