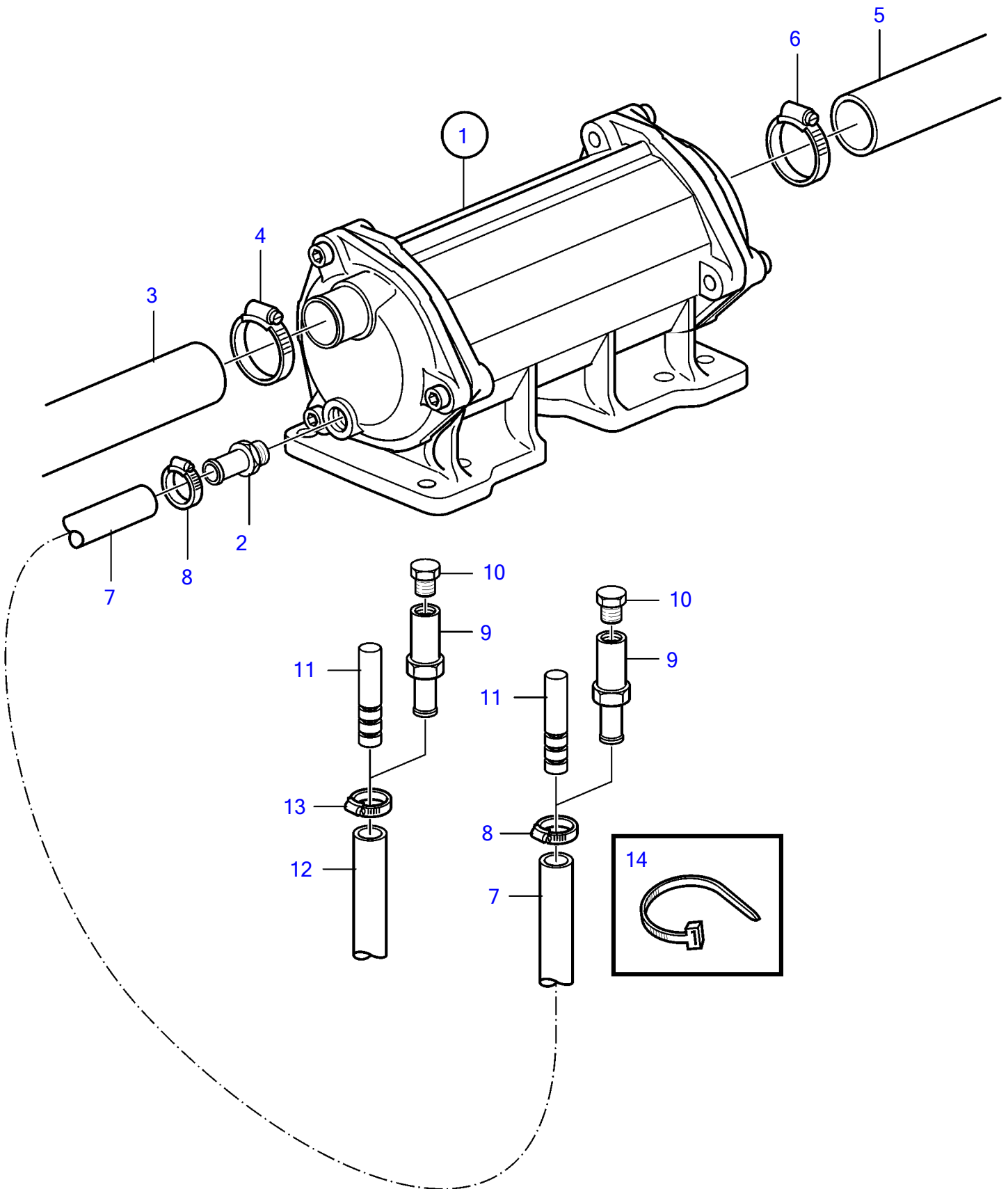


KAD44P-A, KAD44P-B, KAD44P-C, KAMD44P-A, KAMD44P-B, KAMD44P-C



18609

KAD44P-A, KAD44P-B, KAD44P-C, KAMD44P-A, KAMD44P-B, KAMD44P-C

REF	PART NO.	QTY	DESCRIPTION	SEE SEC.	NOTES
1	861757	1	Oil cooler		
				2749	
2	860819	2	Hose nipple		
3	861340	1	Hose		Oil cooler - heat exchanger.
4	943477	1	Hose clamp		
5	861337	1	Hose		After cooler-oil cooler.
6	943477	1	Hose clamp		
7	952967	X	Hose		L=900mm
8	943471	2	Hose clamp		
9	861309	2	Hose nipple		Early type
10	479979	2	Plug		Early type
11	3582636	2	Plug		Late type
12	952967	X	Hose		
13	943471	1	Hose clamp		
14	948616	X	Cable tie		