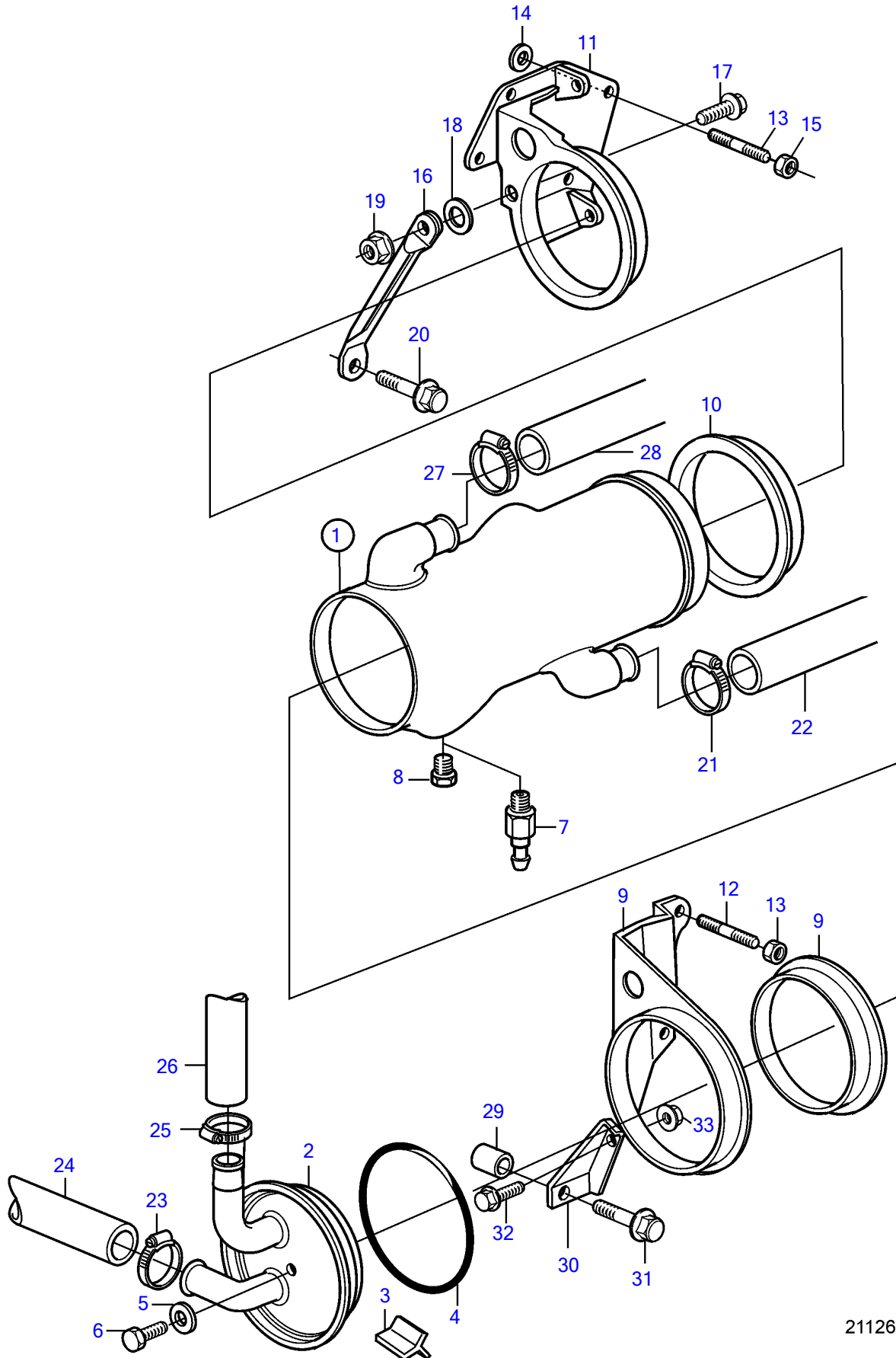


KAD32P-A



21126

KAD32P-A

REF	PART NO.	QTY	DESCRIPTION	NOTES
1	(3586703)	1	Heat exchanger	Obsolete part
2	860755	1	• Cardboard tube	
3	860127	3	• Sealing strip	
4	925027	1	• O-ring	
5	964106	1	• Gasket	
6	963567	1	• Hexagon screw	
7	949918	1	• Shut-off cock	
8	861551	1	Plug	For 3586703
9	3581466	1	Bracket	
10	838733	2	Adapter	
11	(3581468)	1	Bracket	Obsolete part
12	953005	1	Stud	
	17378	1	Stud	
13	953001	4	Stud	
14	960142	2	Washer	
15	971095	6	Flange nut	
16	860450	1	Stay	
17	946671	1	Flange screw	
18	3850090	1	Spacer	
19	948645	1	Flange lock nut	
20	965193	1	Flange screw	
21	943477	1	Hose clamp	
22	3581470	1	Hose	Heat exchanger-water pump.
23	943475	1	Hose clamp	
24	860405	1	Hose	Heat exchanger-after cooler.
25	943475	1	Hose clamp	
26	3581474	1	Hose	Heat exchanger-exhaust riser.
27	943477	1	Hose clamp	
28	3581469	1	Hose	Thermostat housing-heat exchanger.
29	861554	1	Spacer	
30	3581467	1	Stay	
31	965226	1	Flange screw	
32	946440	1	Flange screw	
33	948645	1	Flange lock nut	