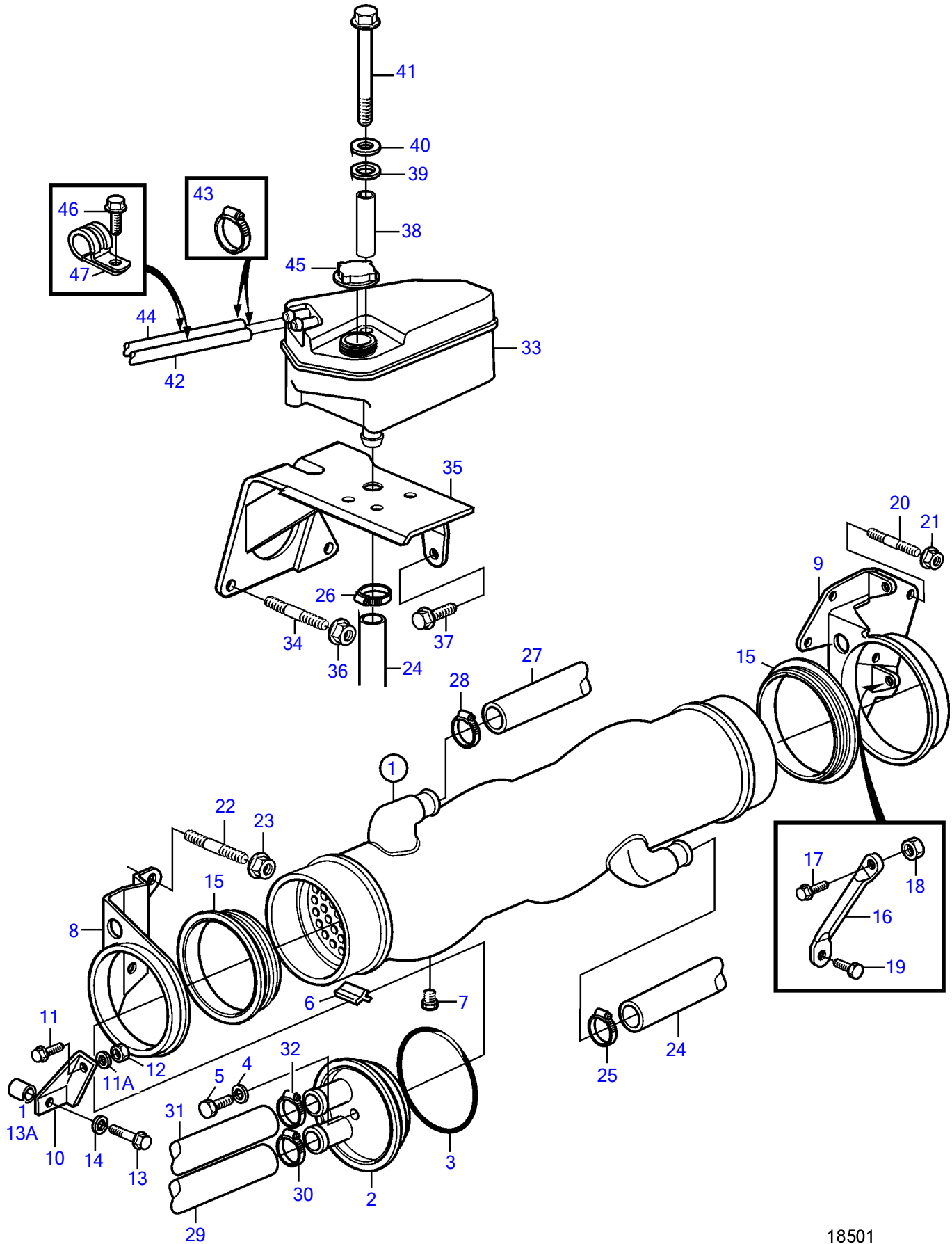


, KAMD300-A



, KAMD300-A

REF	PART NO.	QTY	DESCRIPTION	NOTES
1	3586706	1	Heat exchanger	(3580886)
2	3581033	1	• Cardboard tube	
3	925027	1	• O-ring	
4	964106	1	• Gasket	
5	963567	1	• Hexagon screw	
6	860127	3	• Sealing strip	
7	861551	1	• Plug	
8	860391	1	Bracket	
9	860392	1	Bracket	
10	3581467	1	Stay	
11	946440	1	Flange screw	
11A	3850090	1	Spacer	
12	948645	1	Flange lock nut	
13	965226	1	Flange screw	
13A	843122	1	Spacer sleeve	
13	861554	1	Spacer	
14	940143	1	Toothed washer	
15	838733	2	Adapter	
16	860450	1	Stay	
17	945444	1	Flange screw	
18	948645	1	Flange lock nut	
19	965193	1	Flange screw	
20	953002	4	Stud	L=125mm
21	971095	4	Flange nut	
22	17378	2	Stud	L=170mm
23	971095	2	Flange nut	
24	3581099	1	Hose	Heat exchanger-expansion tank-water pump.
25	943477	1	Hose clamp	
26	943474	1	Hose clamp	
27	861109	1	Hose	Thermostat housing-heat exchanger.
28	943477	1	Hose clamp	
29	861340	1	Hose	Oil cooler - heat exchanger.
30	943476	1	Hose clamp	
31	861341	1	Hose	Heat exchanger-exhaust riser.
32	943476	1	Hose clamp	
33	3580941	1	Expansion tank	
34	953003	2	Stud	
	953005	1	Stud	
35	3581040	1	Bracket	
36	971095	3	Flange nut	
37	946544	1	Flange screw	
38	3581032	1	Spacer sleeve	
39	3285120	1	Grommet	
40	976944	1	Washer	
41	968999	1	Flange screw	
42	942700	X	Hose	Expansion tank-Turbo., L=760mm
43	945652	2	Hose clamp	
44	942700	X	Hose	Expansion tank-thermostat housing., L=580mm
45	1674083	1	Pressure cap	
46	967949	2	Flange screw	
47	952627	2	Clamp	

7738870-26-4923

18501

Upd:2012-02-13