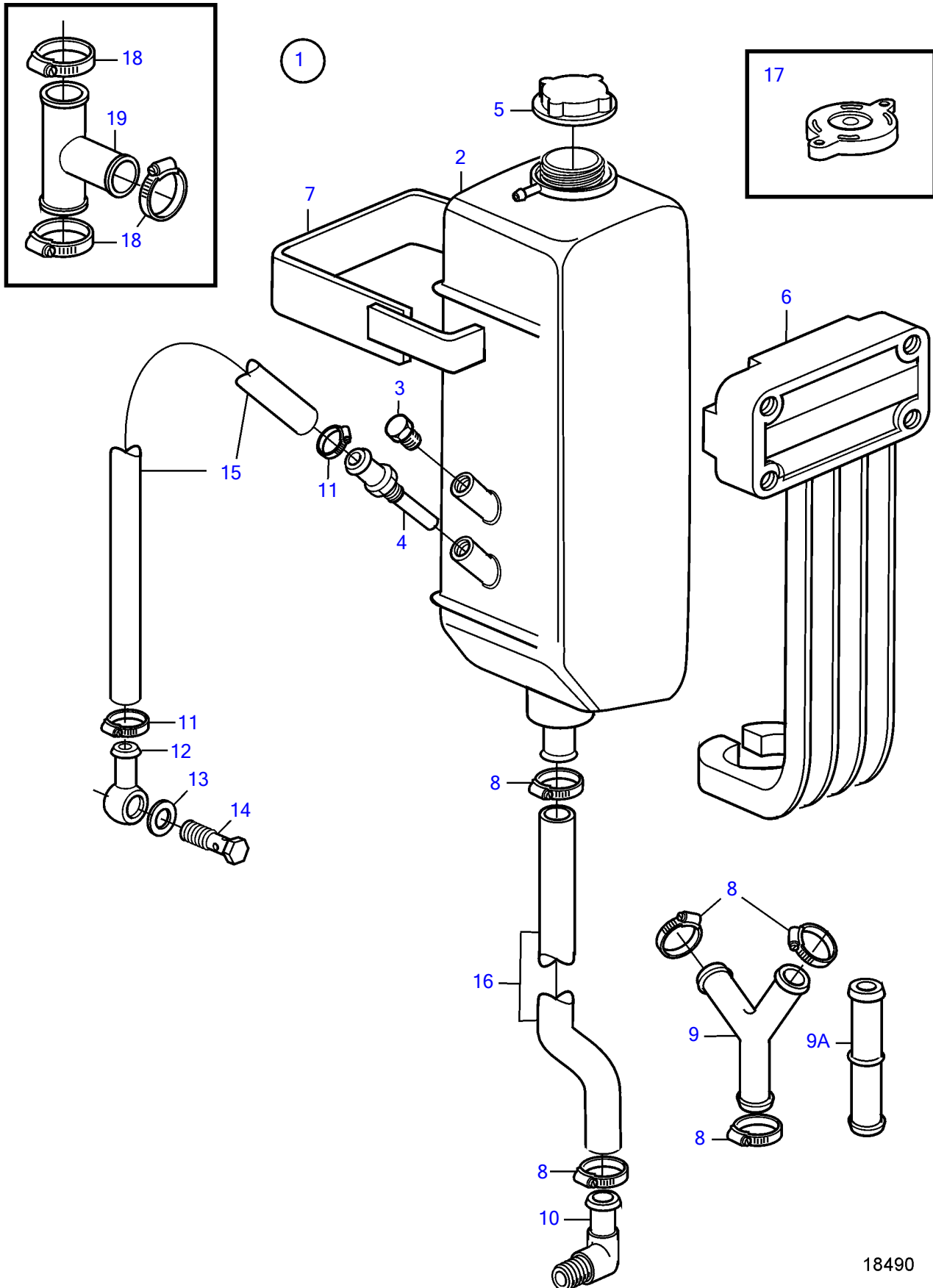


KAD32P, KAD32P-A, TAMD42WJ-A, KAD43P, KAD43P-A, KAMD43P, KAMD43P-A, KAD44P, KAD44P-A, KAD44P-B, KAD44P-C, KAMD44P, KAMD44P-A, KAMD44P-B, KAMD44P-C, KAD300, , KAMD300, KAMD300-A



18490

KAD32P, KAD32P-A, TAMD42WJ-A, KAD43P, KAD43P-A, KAMD43P, KAMD43P-A, KAD44P, KAD44P-A, KAD44P-B, KAD44P-C, KAMD44P, KAMD44P-A, KAMD44P-B, KAMD44P-C, KAD300, , KAMD300, KAMD300-A

REF	PART NO.	QTY	DESCRIPTION
1	3581297	1	Expansion tank
2	844062	1	• Expansion tank
3	947660	1	• Plug
4	843247	1	• Connection pipe
5	860866	1	• Filler cap
6	843260	1	• Bracket
7	843266	1	• Clamp
8	943472	6	• Hose clamp
9	345845	1	• Distribution pipe
9A	831752	1	• Connection pipe
10	948600	1	• Elbow nipple
11	943470	2	• Hose clamp
12	858750	1	• Banjo nipple
13	11994	2	• Gasket
14	947975	1	• Hollow screw
15	942700	X	• Hose
16	952969	X	• Hose
17	845587	1	• Filler cap
18	945652	4	• Hose clamp