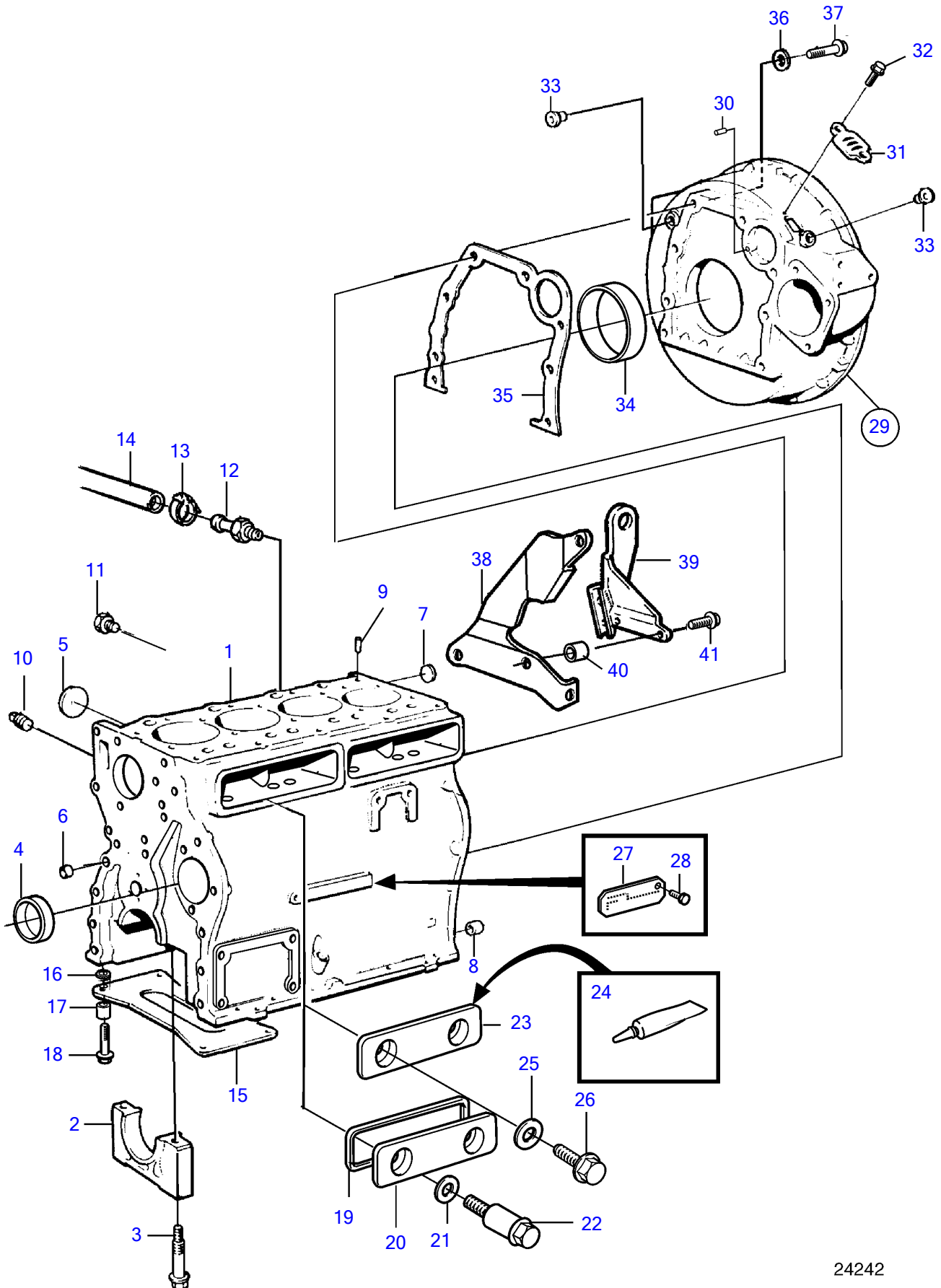


KAD32P-A



24242

KAD32P-A

REF	PART NO.	QTY	DESCRIPTION	SEE SEC.	NOTES
1	861015	1	Cylinder block		SN-2032005794
	3583851	1	Cylinder block		SN2032005795-
2		5	• Main bearing cap		
3	861005	10	• Screw		
4	1542067	5	• Camshaft bushing		
5	463905	2	• Expansion plug		
6	955083	4	• Cap plug		
7	968955	1	• Expansion plug		
8	415311	3	• Guide sleeve		
9	946402	2	• Grooved pin		
10	479977	1	Plug		
11	479979	2	Plug		
12	860819	1	Hose nipple		
13	943470	1	Hose clamp		
14	952967	X	Hose		L=900mm
15	1545159	1	Foot plate		
16	3850090	4	Spacer		(1545204)
17	1545160	4	Spacer sleeve		
18	965187	4	Flange screw		
19	1542052	2	Sealing		Early type
20	1542050	2	Inspection lid		Early type
21	469846	4	Sealing ring		Early type
22	859447	4	Shoulder screw		Early type
23	877262	2	Inspection lid		Late type
24	1161231	X	Sealant		Late type, 310ml
	1161277	X	Sealant		Black, 20g, Late type
25	18666	4	Gasket		Late type
26	965185	4	Flange screw		Late type
27		1	Sign		
28		2	Drive screw		
29	3581825	1	Flywheel housing		
30		1	Pin		
31	407092	1	Cover		
32	967949	2	Flange screw		(965175)
33	860926	2	Plug		
34	3582851	1	Sealing ring		
35	829487	1	Gasket		
36	941908	8	Spring washer		
37	965185	6	Flange screw		L=40mm
	965220	2	Flange screw		L=45mm
38		1	Bracket	3047	
39	860419	1	Lifting bracket		
40	860699	2	Spacer sleeve		
41	946472	2	Flange screw		