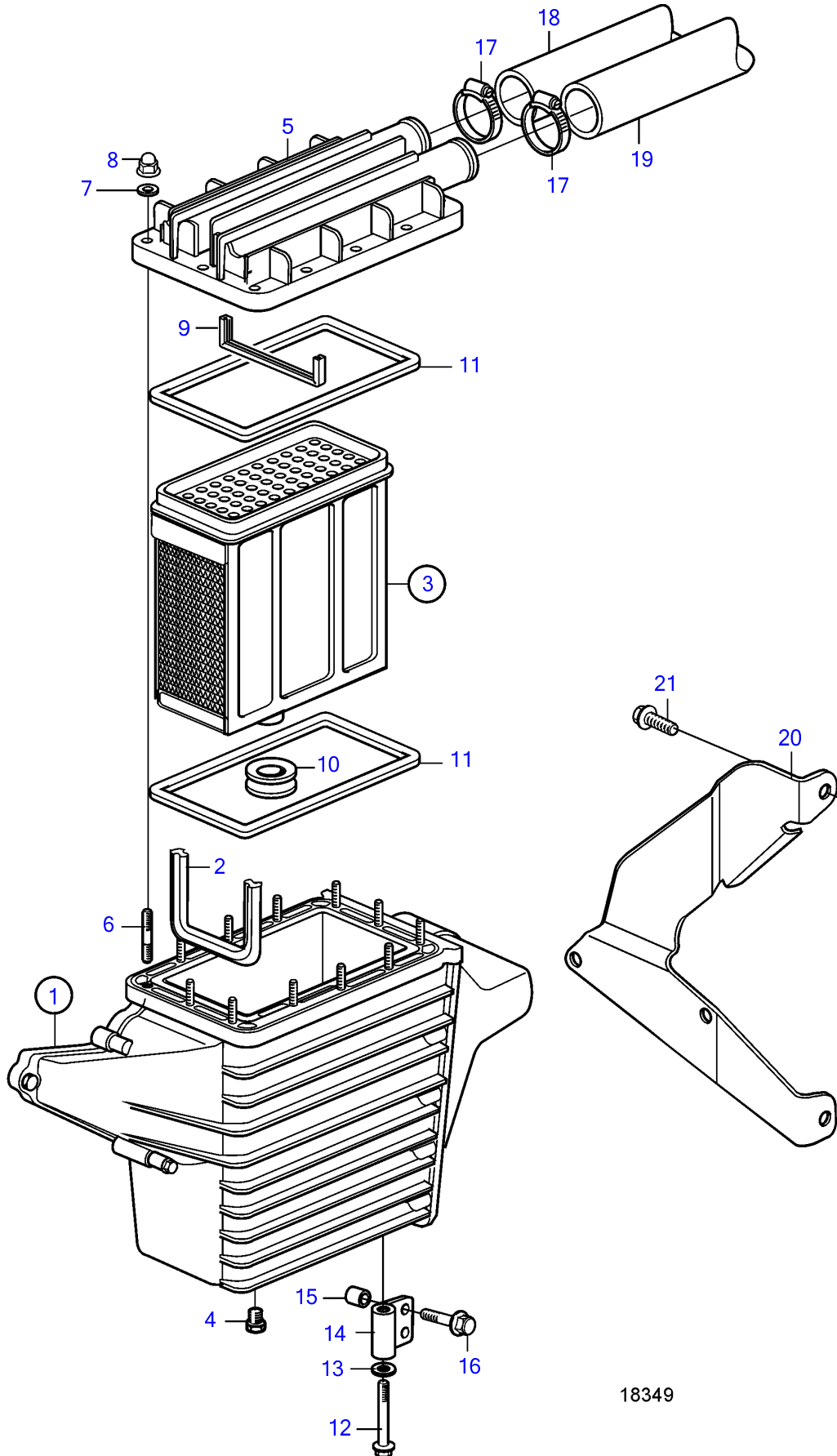


KAD32P-A



18349

KAD32P-A

REF	PART NO.	QTY	DESCRIPTION	NOTES
1	861657	1	Housing	
2	3582639	1	• Sealing strip	(838831)
3	3582598	1	Insert	(861553)
4	861551	1	• Plug	
5	860409	1	Cover	
6	953036	12	Stud	
7	955893	12	Washer	
8	968458	12	Flange cap nut	
9	847573	1	Sealing strip	
10	858979	1	Sealing ring	
11	860920	2	Gasket	
12	965183	1	Flange screw	
13	976944	1	Washer	
14	3580762	1	Bracket	
15	861554	2	Spacer	
16	965226	2	Flange screw	
17	943475	2	Hose clamp	
18	860644	1	Hose	After cooler-oil cooler.
19	860405	1	Hose	Heat exchanger-after cooler.
20	3581025	1	Bracket	
21	946173	2	Flange screw	