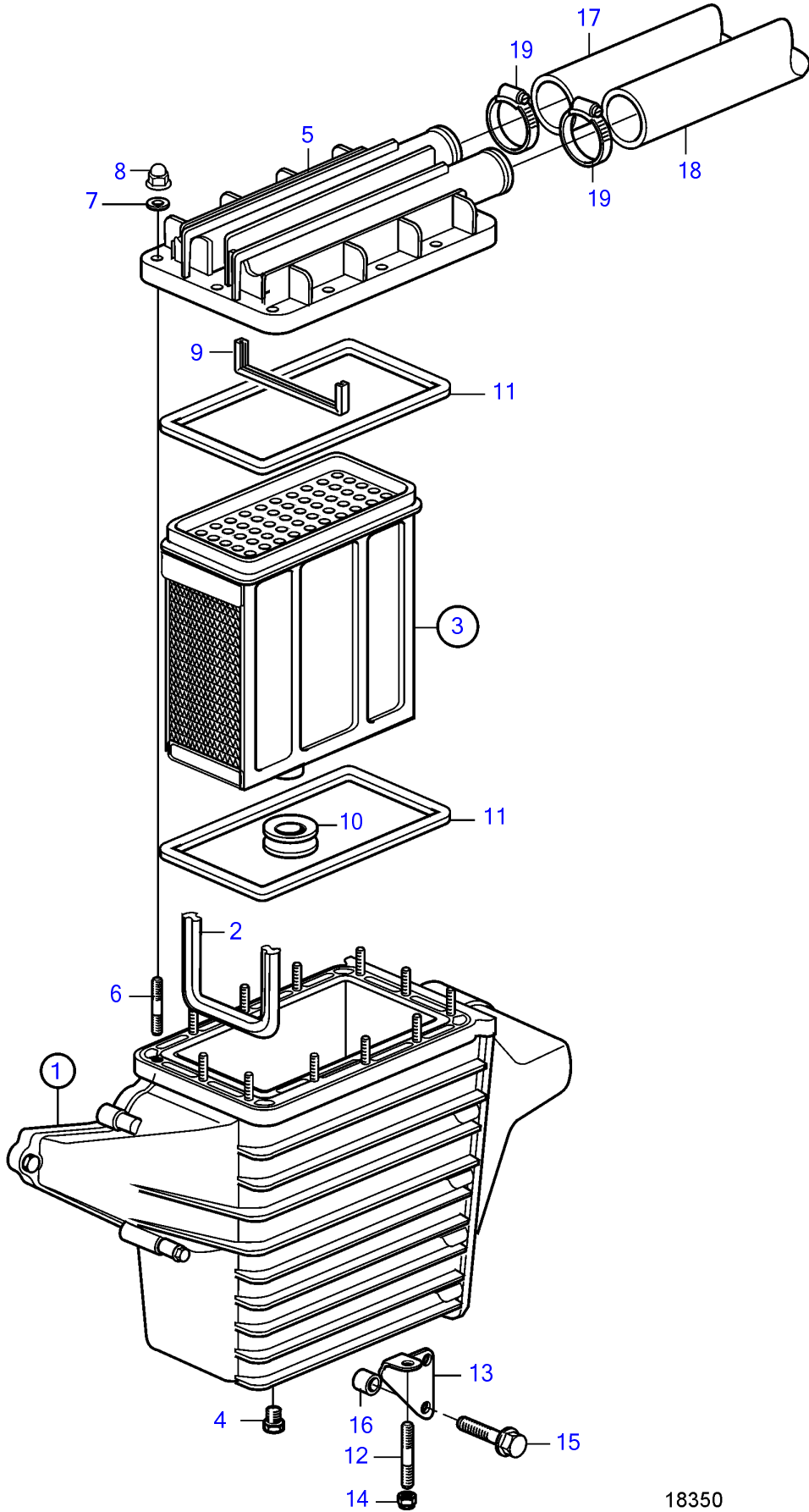


KAMD43P-A



KAMD43P-A

REF	PART NO.	QTY	DESCRIPTION	NOTES
1	861657	1	Housing	(861656)
2	3582639	1	• Sealing strip	(838831)
3	3582598	1	Insert	(861553)
4	861551	1	• Plug	
5	860409	1	Cover	
6	953036	12	Stud	
7	955893	12	Washer	
8	968458	12	Flange cap nut	
9	847573	1	Sealing strip	
10	858979	1	Sealing ring	
11	860920	2	Gasket	
12	953041	1	Stud	
13	858965	1	Bracket	
14	945408	1	Flange nut	
15	965226	2	Flange screw	
16	861554	2	Spacer	
17	860404	1	Hose	After cooler-oil cooler.
18	861277	1	Hose	Heat exchanger-after cooler.
19	943476	2	Hose clamp	