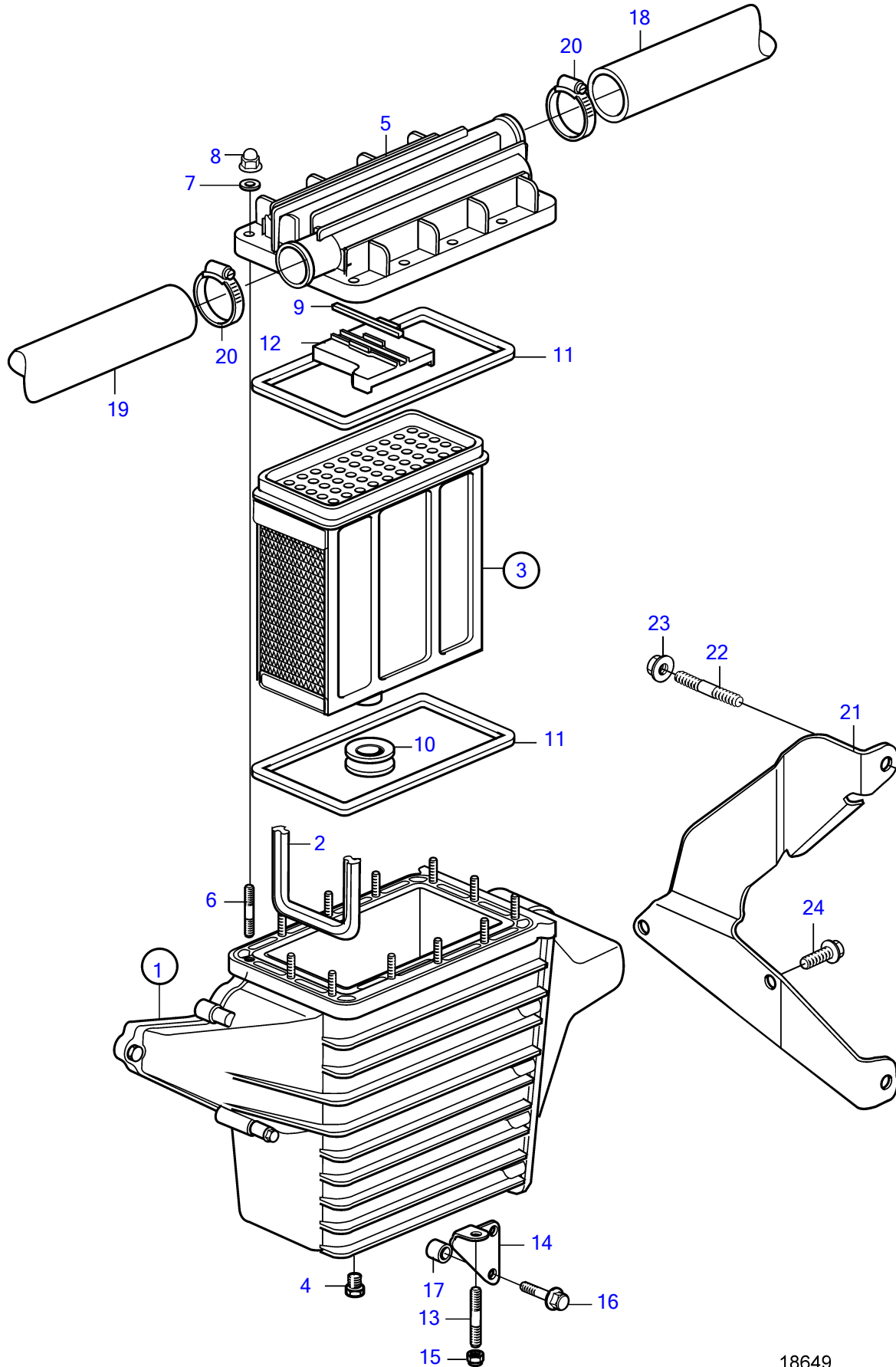


KAMD300-A



KAMD300-A

REF	PART NO.	QTY	DESCRIPTION	NOTES
1	861657	1	Housing	
2	3582639	1	• Sealing strip	
3	3583101	1	Insert	
4	861551	1	• Plug	
5	3583102	1	Cardboard tube	
6	953036	12	Stud	
7	955893	12	Washer	
8	968458	12	Flange cap nut	
9	3583126	1	Sealing strip	
10	858979	1	Sealing ring	
11	860920	2	Gasket	
12	3583100	1	Cup	
13	953041	1	Stud	
14	858965	1	Bracket	
15	945408	1	Flange nut	
16	965226	2	Flange screw	
17	843122	2	Spacer sleeve	
18	861337	1	Hose	After cooler-oil cooler.
19	861335	1	Hose	Sea water pump-intercooler.
20	943477	2	Hose clamp	
21	3581025	1	Bracket	
22	953041	2	Stud	
23	945408	2	Flange nut	
24	946441	2	Flange screw	