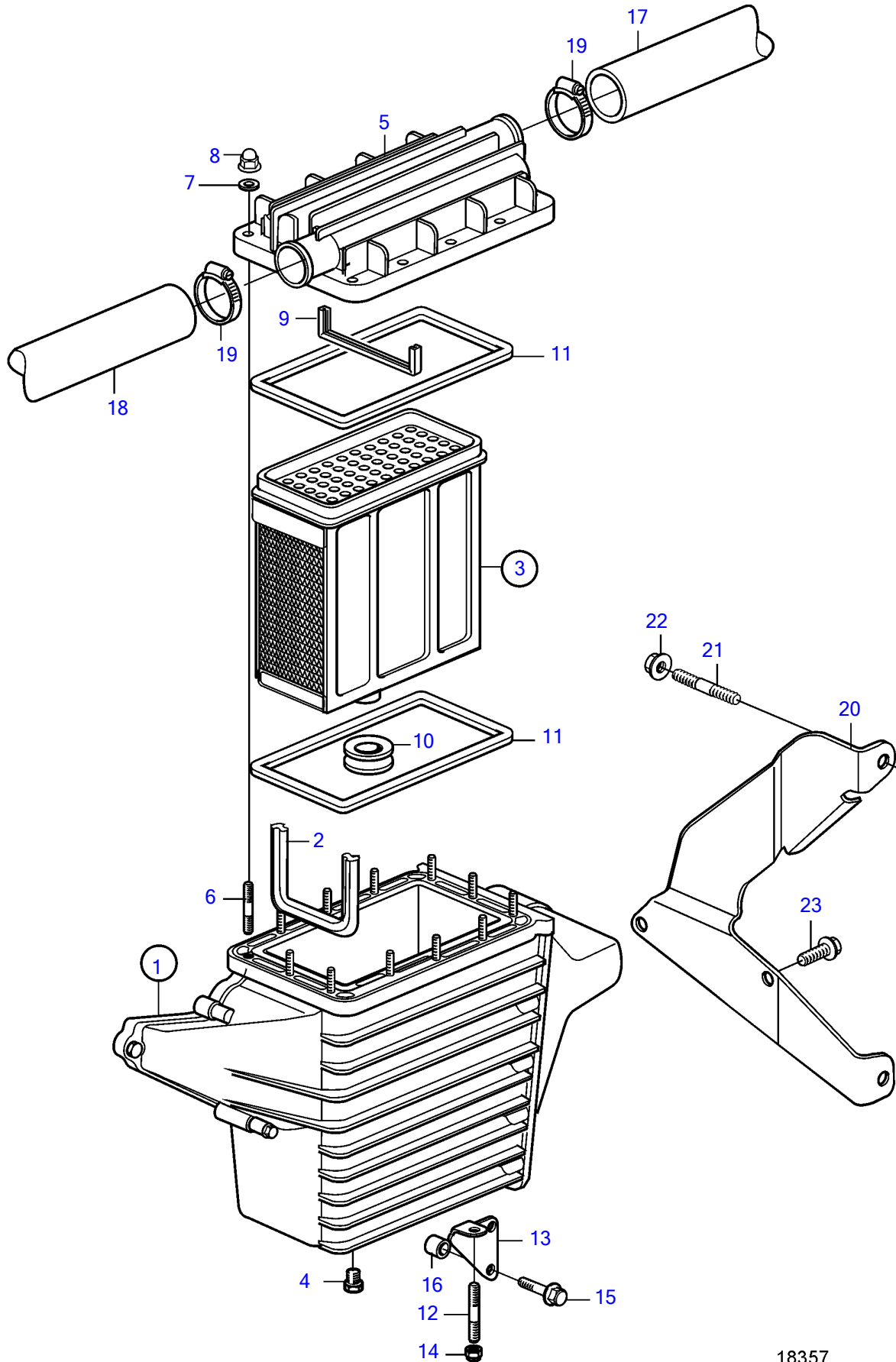


KAMD44P-A, KAMD44P-B, KAMD44P-C



KAMD44P-A, KAMD44P-B, KAMD44P-C

REF	PART NO.	QTY	DESCRIPTION	NOTES
1	861657	1	Housing	
2	3582639	1	• Sealing strip	(838831)
3	3582599	1	Insert	
4	861551	1	• Plug	
5	861263	1	Cardboard tube	
6	953036	12	Stud	
7	955893	12	Washer	
8	968458	12	Flange cap nut	
9	847573	1	Sealing strip	
10	858979	1	Sealing ring	
11	860920	2	Gasket	
12	953041	1	Stud	
13	858965	1	Bracket	
14	945408	1	Flange nut	
15	965226	2	Flange screw	
16	843122	2	Spacer sleeve	
17	861337	1	Hose	After cooler-oil cooler.
18	861335	1	Hose	Sea water pump-intercooler.
19	943477	2	Hose clamp	
20	3581025	1	Bracket	
21	953041	2	Stud	
22	945408	2	Flange nut	
23	946441	2	Flange screw	