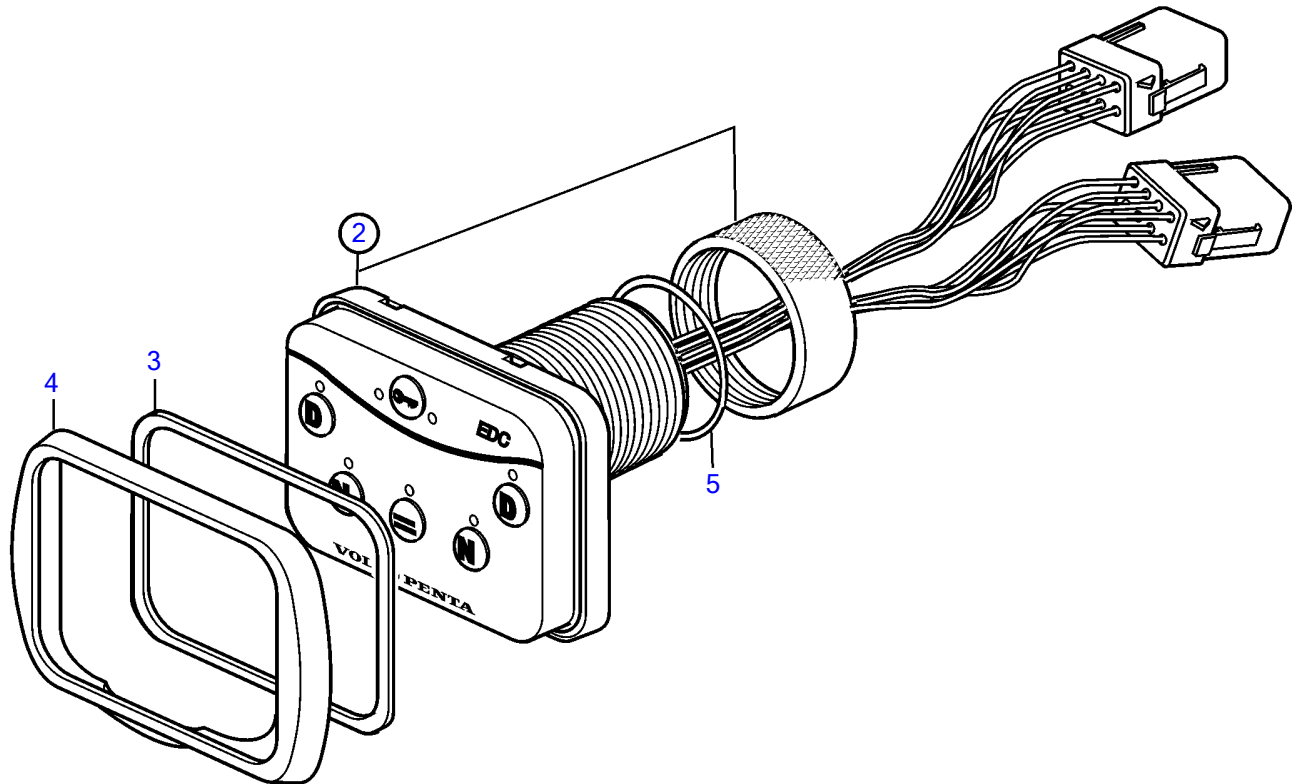
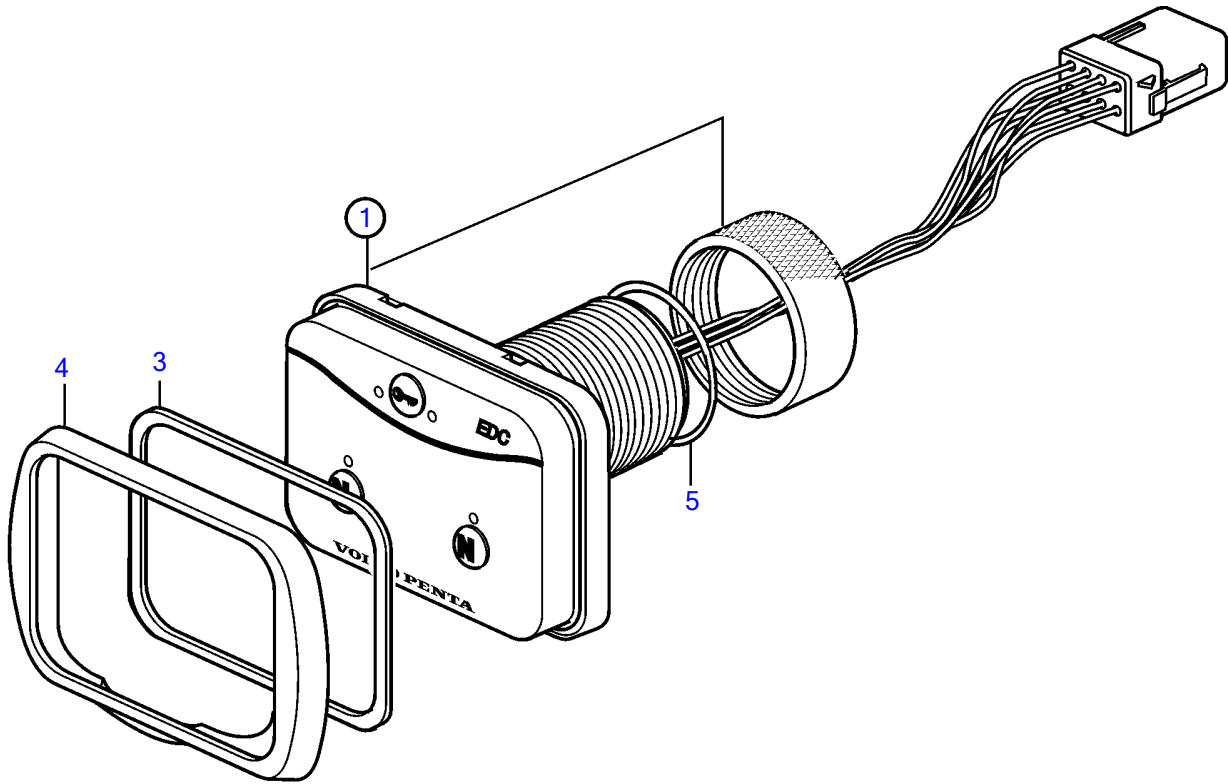


KAD32P, KAD32P-A, TAMD42WJ-A, KAD43P, KAD43P-A, KAMD43P, KAMD43P-A, KAD44P, KAD44P-A, KAD44P-B, KAD44P-C, KAMD44P, KAMD44P-A, KAMD44P-B, KAMD44P-C, KAD300, , KAMD300, KAMD300-A



KAD32P, KAD32P-A, TAMD42WJ-A, KAD43P, KAD43P-A, KAMD43P, KAMD43P-A, KAD44P, KAD44P-A, KAD44P-B, KAD44P-C, KAMD44P, KAMD44P-A, KAMD44P-B, KAMD44P-C, KAD300, , KAMD300, KAMD300-A

| REF | PART NO. | QTY | DESCRIPTION | NOTES |
|-----|----------|-----|---------------|---|
| 1 | 874121 | 1 | Control panel | Single engine installation. For single or multi stations., For 2x8-pole system. |
| 3 | 874192 | 1 | Gasket | Alt |
| 4 | 874149 | 1 | Frame | Alt |
| 5 | 874191 | 1 | O-ring | |