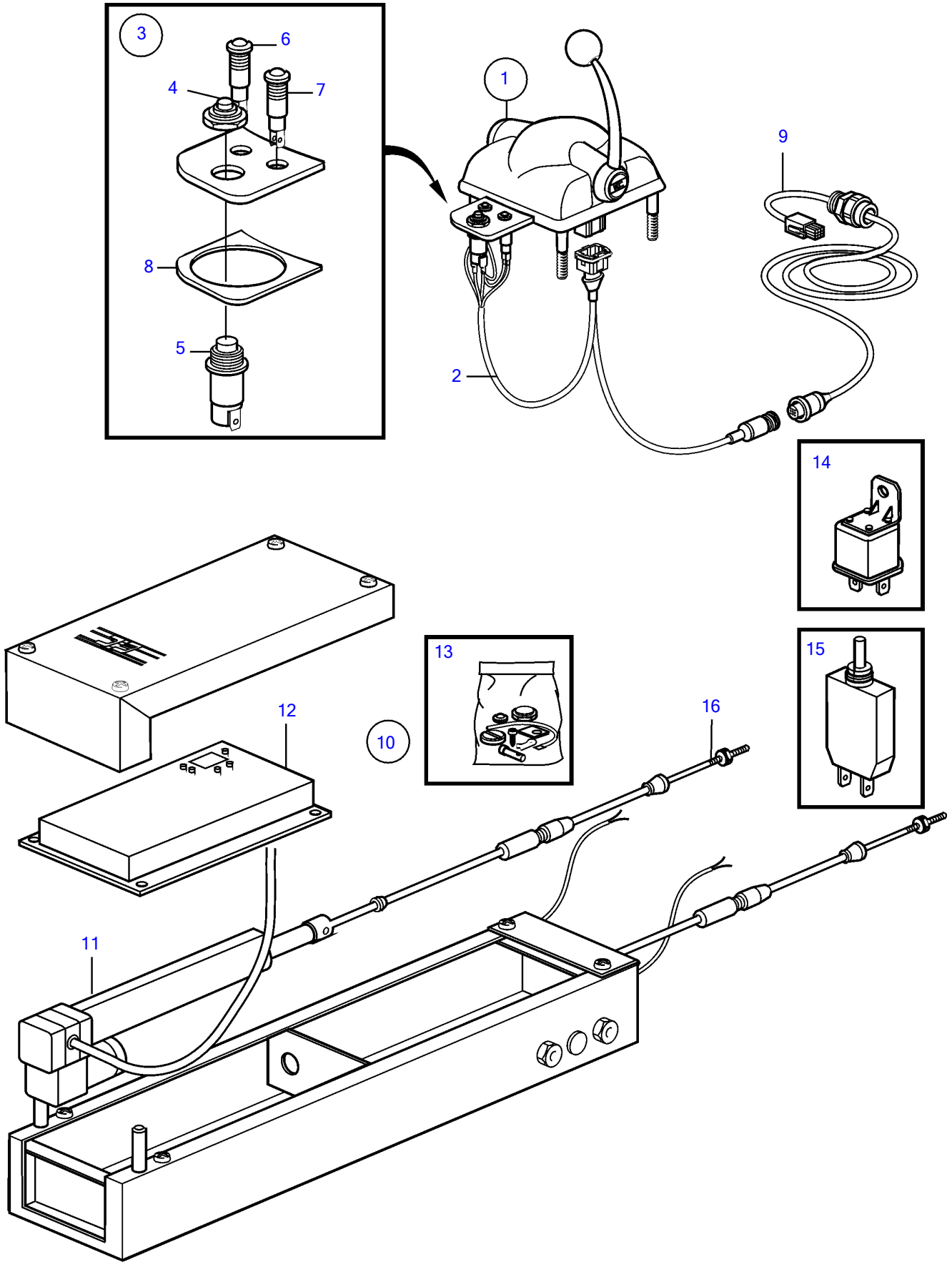


KAD32P-A, KAD43P-A, KAMD43P-A



KAD32P-A, KAD43P-A, KAMD43P-A

REF	PART NO.	QTY	DESCRIPTION	SEE SEC.	NOTES
1	3861025	3	Engine speed control		For single station., Repl by 874734
			•	5094	
			•	5094	
	3861025	3	Engine speed control		For three steering positions., Repl by 874734
			•	5094	
	874734	3	Control		For three steering positions.
2	3860490	3	Wiring harness		For three steering positions.
3	(3860491)	3	Panel		For three steering positions., Obsolete part
4	828586	3	• Nut		For three steering positions.
5	(828718)	3	• Toggle switch		For three steering positions., Obsolete part
6	(3860539)	3	• Lamp		For three steering positions., Obsolete part
7	(3860540)	3	• Lamp		For three steering positions., Obsolete part
8	(3860541)	3	• Gasket		For three steering positions., Obsolete part
9	3860494	X	Wiring harness		L=5m
	3860495	X	Wiring harness		L=10m
	3860496	X	Wiring harness		L=15m
	(3860497)	X	Wiring harness		L=20m, Obsolete part
	(3860498)	X	Wiring harness		L=25m, Obsolete part
10	3860487	1	Unit		For three steering positions.
11	3860533	2	• Actuator		For three steering positions.
12	(3860534)	1	• Unit		For three steering positions., Obsolete part
13	(3860535)	1	• Mounting kit		For three steering positions., Obsolete part
14	841177	1	Relay		For three steering positions.
15	966689	1	Fuse		For three steering positions.
16		X	Control cable	231	