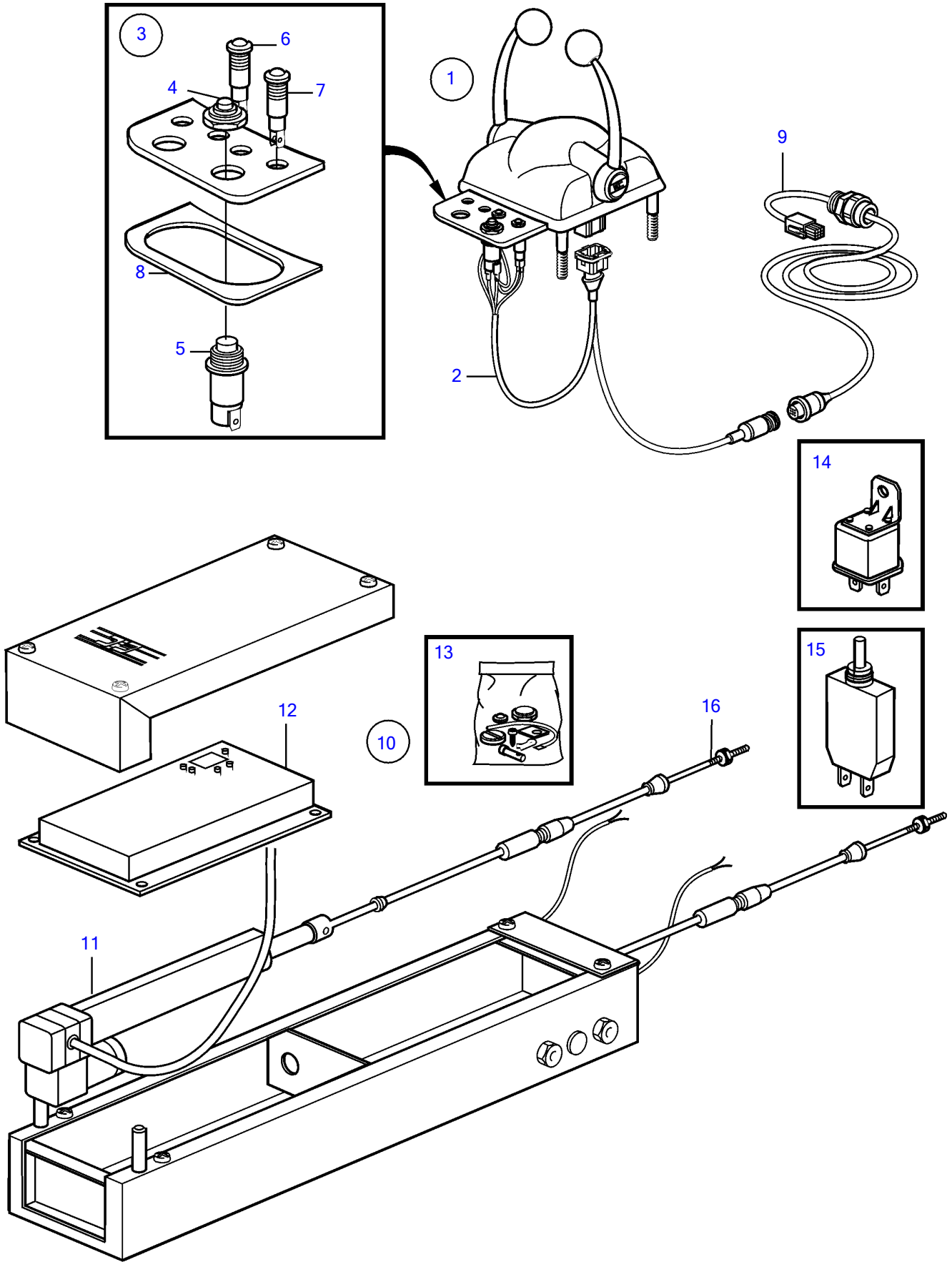


KAD32P-A, KAD43P-A, KAMD43P-A



KAD32P-A, KAD43P-A, KAMD43P-A

REF	PART NO.	QTY	DESCRIPTION	SEE SEC.	NOTES
1	3861026	1	Engine speed control		For single station., Repl by 874663
			•		
			•	5094	
			•		
			•	5094	
			•		
			•	5094	
	874663	1	Control		
			• parts not sold separately		
			• parts not sold separately		
			• parts not sold separately		
2	3860490	2	Wiring harness		For single station.
3	(3860492)	1	Panel		For single station., Obsolete part
4	828586	2	• Nut		For single station.
5	(828718)	2	• Toggle switch		For single station., Obsolete part
6	(3860539)	2	• Lamp		For single station., Obsolete part
7	(3860540)	2	• Lamp		For single station., Obsolete part
8	(3860542)	1	• Gasket		For single station., Obsolete part
9	3860494	X	Wiring harness		L=5m
	3860495	X	Wiring harness		L=10m
	3860496	X	Wiring harness		L=15m
	(3860497)	X	Wiring harness		L=20m, Obsolete part
	(3860498)	X	Wiring harness		L=25m, Obsolete part
10	3860487	2	Unit		For single station.
11	3860533	4	• Actuator		For single station.
12	(3860534)	2	• Unit		For single station., Obsolete part
13	(3860535)	2	• Mounting kit		For single station., Obsolete part
14	841177	1	Relay		For single station.
15	966689	1	Fuse		For single station.
16		X	Control cable	231	

7738870-27-5096

18677

Upd:2012-02-13