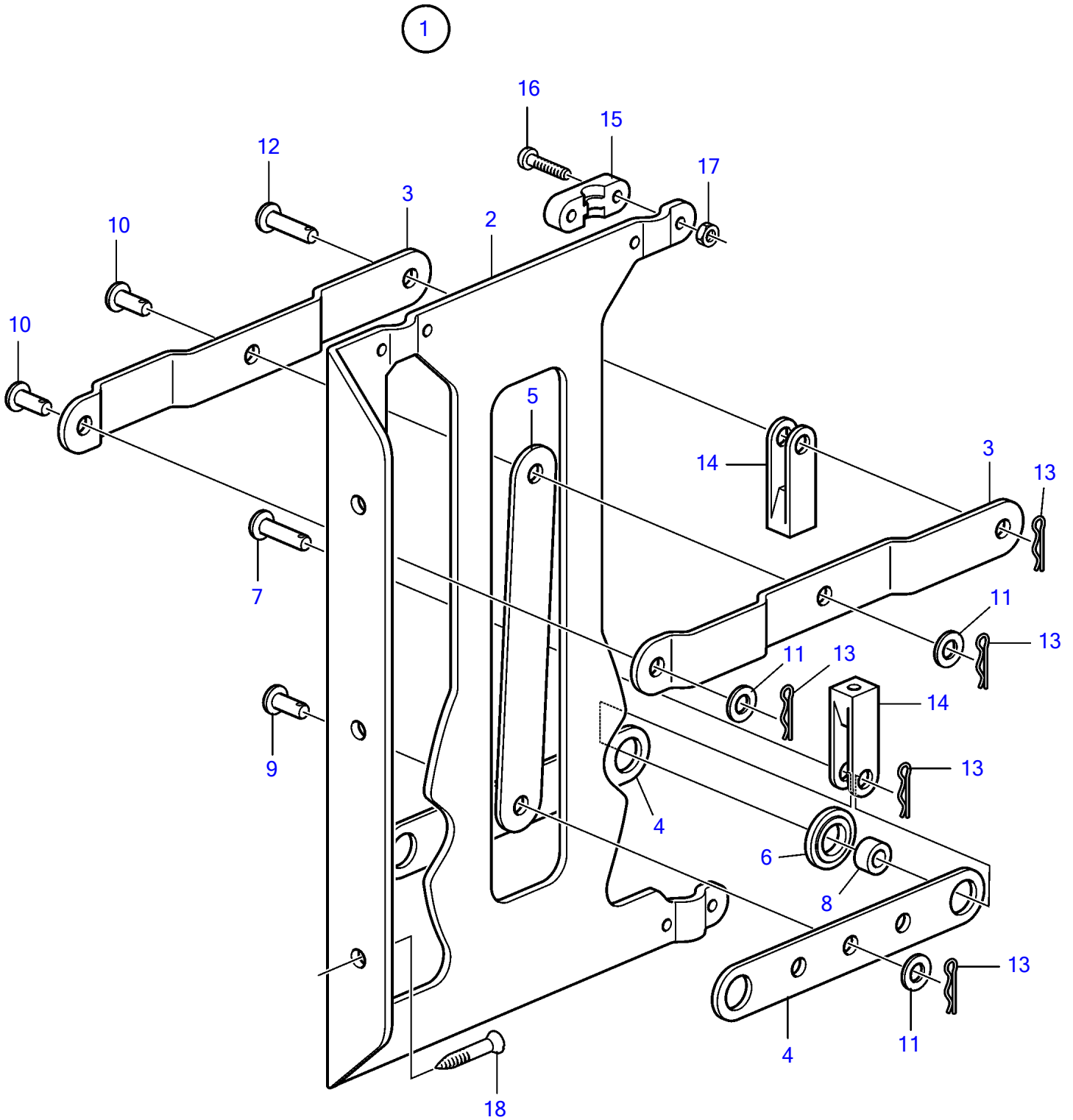


KAD32P, KAD32P-A, TAMD42WJ-A, KAD43P, KAD43P-A, KAMD43P, KAMD43P-A, KAD44P, KAD44P-A, KAD44P-B, KAD44P-C, KAMD44P, KAMD44P-A, KAMD44P-B, KAMD44P-C, KAD300, , KAMD300, KAMD300-A



23103

KAD32P, KAD32P-A, TAMD42WJ-A, KAD43P, KAD43P-A, KAMD43P, KAMD43P-A, KAD44P, KAD44P-A, KAD44P-B, KAD44P-C, KAMD44P, KAMD44P-A, KAMD44P-B, KAMD44P-C, KAD300, , KAMD300, KAMD300-A

REF	PART NO.	QTY	DESCRIPTION	NOTES
1	828164	1	Connection plate	For double steering positions.
2		1	• Housing	
3		2	• Lever	
4		2	• Lever	
5		1	• Lever	
6	828180	2	• Roller	
7	828183	2	• Split pin	
8	828178	2	• Bushing	
9	(850358)	1	• Clevis pin	Obsolete part
10	(828177)	2	• Clevis pin	Obsolete part
11	940191	3	• Washer	
12	828182	1	• Clevis pin	
13	664822	6	• Split pin	
14	850452	3	• Fork	
15	850361	3	• Cable attachment	
16	969407	6	• 6 point socket screw	(956078)
17	955780	6	• Hexagon nut	
18	(905448)	3	Screw	Obsolete part