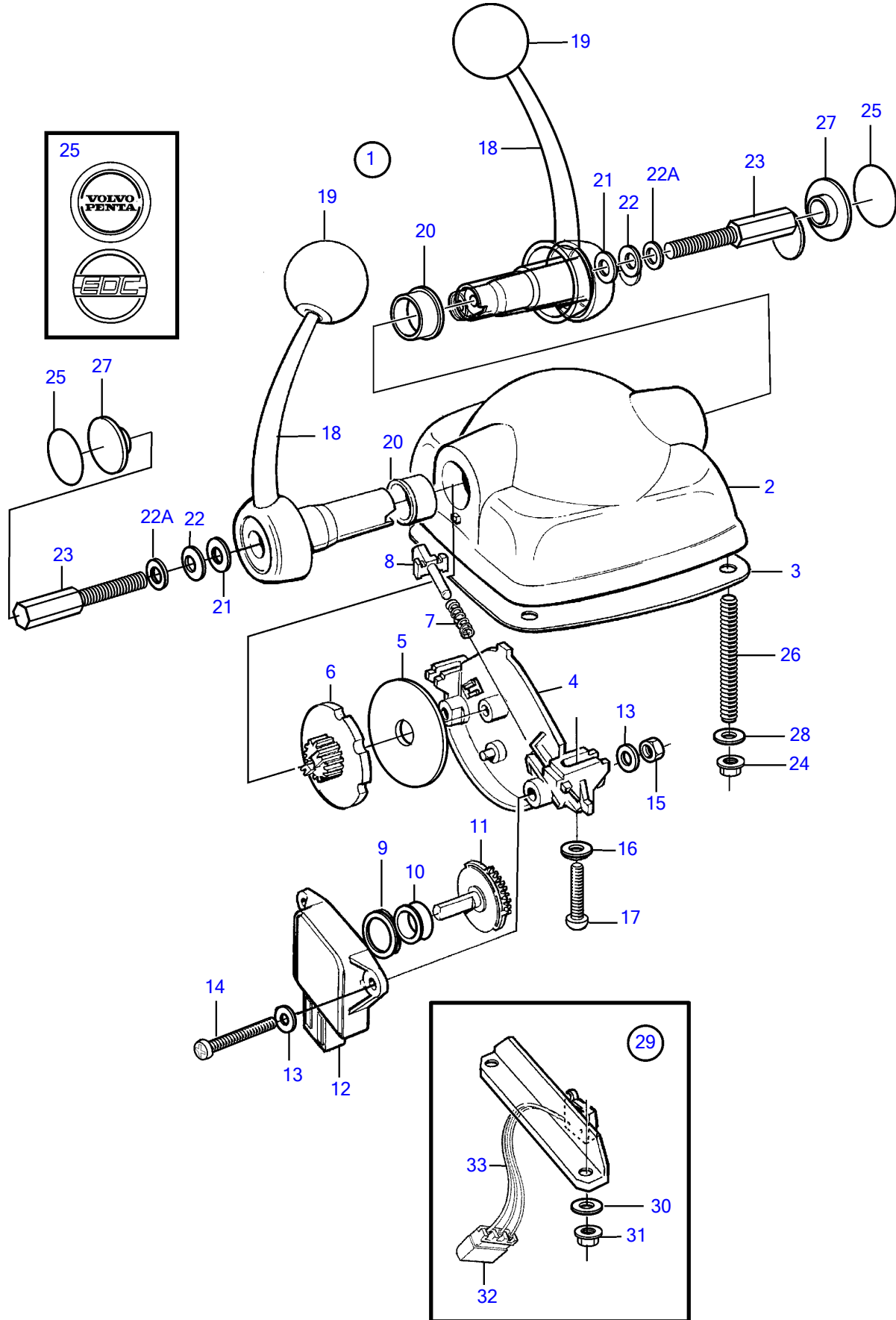


KAD44P-B, KAMD44P-B, KAMD44P-C,



KAD44P-B, KAMD44P-B, KAMD44P-C,

REF	PART NO.	QTY	DESCRIPTION	SEE SEC.	NOTES
1	3819900	1	Control		For twin installation., Black., With neutralswitch.
			Bulletin P-28-4-13	P-28-4-13-EN	New Electronic Controls for EVC Engines
1	3819902	1	Control		For twin installation., Stainless., With neutralswitch.
			Bulletin P-28-4-13	P-28-4-13-EN	New Electronic Controls for EVC Engines
2		1	• Housing		
3	3581674	1	• Gasket		
4		1	• Plate		
5	3581666	2	• Friction washer		
6		2	• Disc		
7		2	• Spring		
8		2	• Guide lug		
9		2	• Spacer ring		
10	3581676	2	• Ring		
11	(3581668)	2	• Gear		Obsolete part
12	1336385	2	• Potentiometer		
13		4	• Washer		
14	3581678	2	• Screw		
15	3581680	2	• Nut		
16		2	• Washer		
17	3581681	2	• Screw		
18		2	• Shift lever		
19	3581675	2	• Ball		
20	(3581673)	2	• Bearing		Obsolete part
21		2	• Washer		
22		2	• Disc spring		
22A		2	• Washer		
23		2	• Adjusting screw		
24	3581686	4	• Nut		
25	3584000	2	• Decal		Volvo Penta
	3581669	2	• Decal		EDC
26		4	• Stud		
27	3582830	2	• Plug		Plastic, For 874663
		2	• Plug		Stainless., For 874813
28		4	• Washer		
29	3818851	2	• Microswitch		(873870)
30		4	• • Washer		
31		4	• • Nut		
32		X	• • Insulator		See group 30
33		X	• • Cable		See group 30

7738870-27-7461B

21947

Upd:2012-02-13