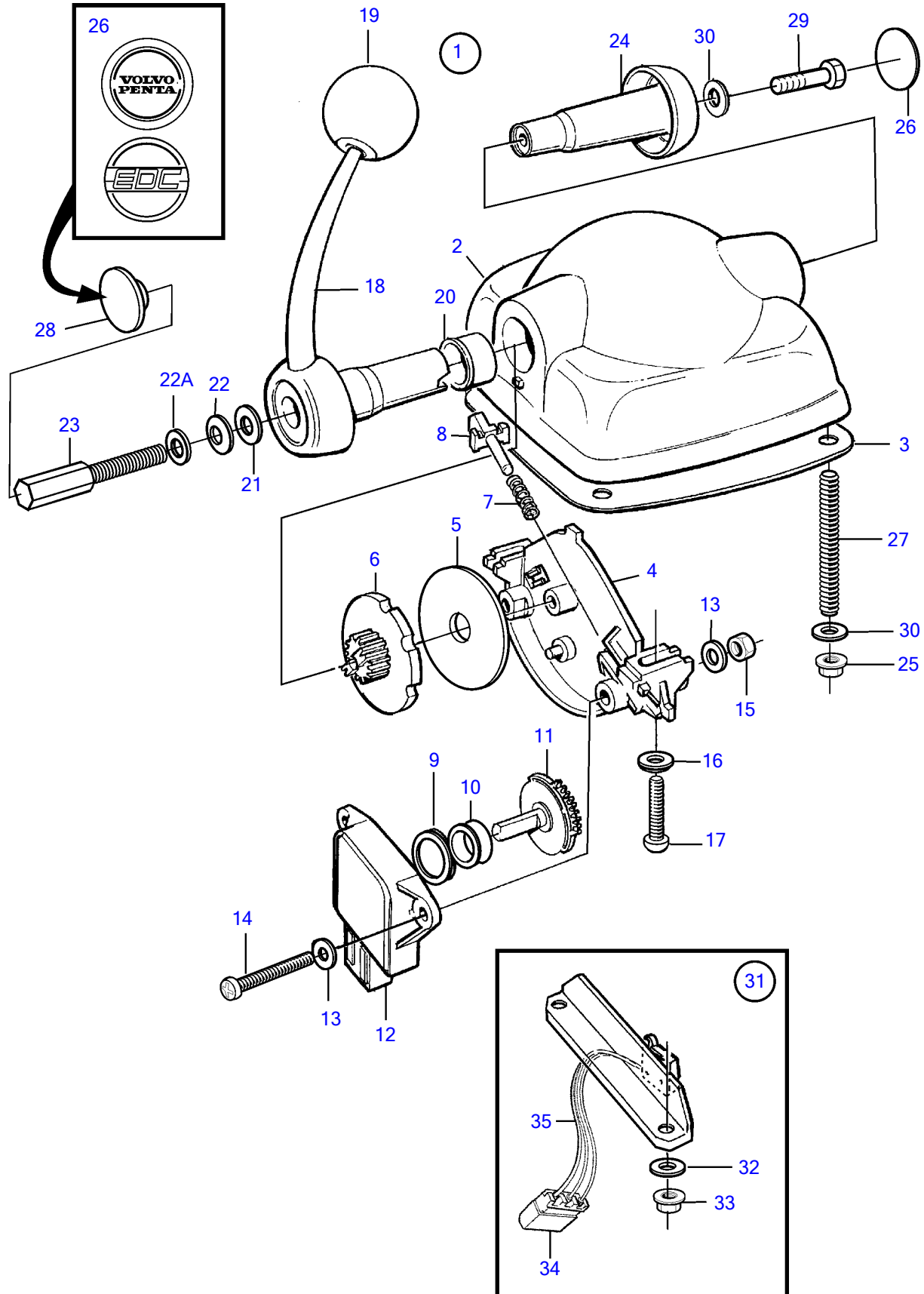


KAD44P-B, KAMD44P-B, KAMD44P-C,



KAD44P-B, KAMD44P-B, KAMD44P-C,

REF	PART NO.	QTY	DESCRIPTION	NOTES
1	874734	1	Control	For single installation., Black., (1140657)
	3807509	1	Control	For single installation., Stainless.
2		1	• Housing	
3	3581674	1	• Gasket	
4		1	• Plate	
5	3581666	1	• Friction washer	
6		1	• Disc	
7		1	• Spring	
8		1	• Guide lug	
9		1	• Spacer ring	
10	3581676	1	• Ring	
11	(3581668)	1	• Gear	Obsolete part
12	1336385	1	• Potentiometer	
13		4	• Washer	
14	3581678	2	• Screw	
15	3581680	2	• Nut	
16		2	• Washer	
17	3581681	2	• Screw	
18		1	• Shift lever	
19	3581675	1	• Ball	
20	(3581673)	1	• Bearing	Obsolete part
21		1	• Washer	
22		1	• Disc spring	
22A		1	• Washer	
23		1	• Adjusting screw	
24	3581687	1	• Plug	
25	3581686	4	• Nut	
26	3584000	1	• Decal	Volvo Penta
	3581669	1	• Decal	EDC
27		4	• Stud	
28	3582830	1	• Plug	Plastic, For 874734
29		1	• Plug	Stainless., For 3807509
		1	• Screw	
30		5	• Washer	