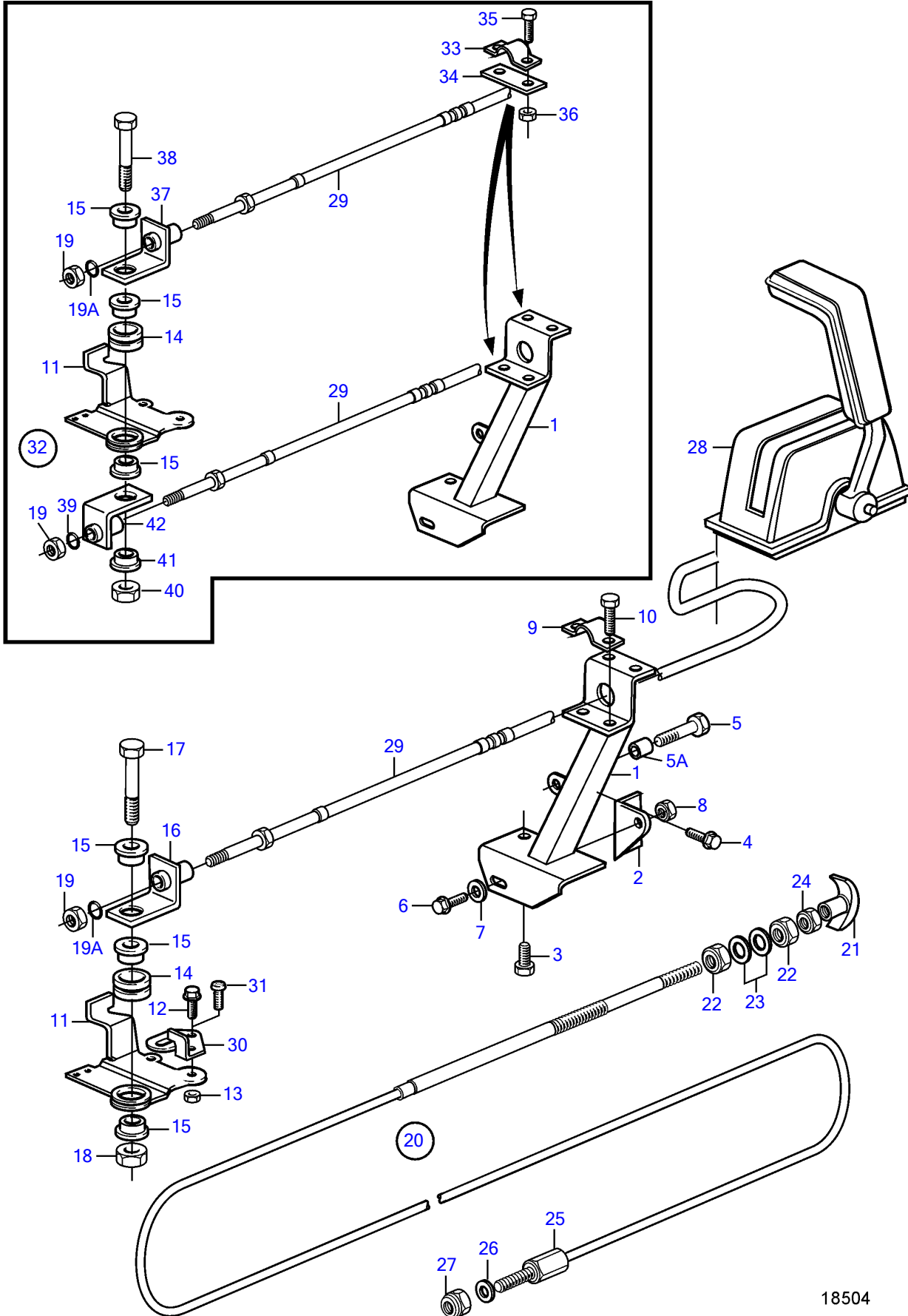


TAMD42WJ-A, KAD43P-A, KAMD43P-A



TAMD42WJ-A, KAD43P-A, KAMD43P-A

REF	PART NO.	QTY	DESCRIPTION	SEE SEC.	NOTES
1	838783	1	Bracket		
2	838753	1	Bracket		
3	946471	1	Flange screw		L=16mm
	946441	1	Flange screw		L=20mm
4	946440	2	Flange screw		
5	947542	1	Flange screw		
5A		1	Spacer sleeve		
6	945444	1	Flange screw		
7	191172	1	Washer		
8	948645	1	Flange lock nut		
9	21471054	1	Bracket		
10	969407	2	6 point socket screw		(956078)
11	(858261)	1	Lever		Obsolete part
12	946544	1	Flange screw		
13	949278	1	Flange lock nut		
14	843109	1	Bushing		
15	843105	3	Spacer washer		
19	951674	2	Lock nut		
19A	955971	1	O-ring		
20	(818478)	1	Push pull control		L=3,3mm, Obsolete part
	(818470)	1	Push pull control		L=6,9mm, Obsolete part
21	(829241)	1	• Handle		Obsolete part
22	955857	2	• Hexagon nut		
23	955950	2	• Toothed washer		
24	955844	1	• Hexagon nut		
25	829070	1	Cable lock		
26	955894	2	Washer		
27	(950363)	1	Lock nut		Obsolete part
28		X	Control		
29		X	Control cable	231	
30	860959	1	Stop dog		
31	955271	1	Hexagon screw		(956094)
32	3581042	1	Engine speed control		(861221)
33	21471054	1	• Bracket		
34	819068	1	• Washer		
35	969407	2	• 6 point socket screw		(956078)
36	951674	2	• Lock nut		
37	861215	1	• Bracket		
38	955275	1	• Hexagon screw		
39	955971	1	• O-ring		
40	946035	1	• Lock nut		
41	843105	2	• Spacer washer		
42	861214	1	• Bracket		

7738870-27-3441B

18504

Upd:2012-02-13