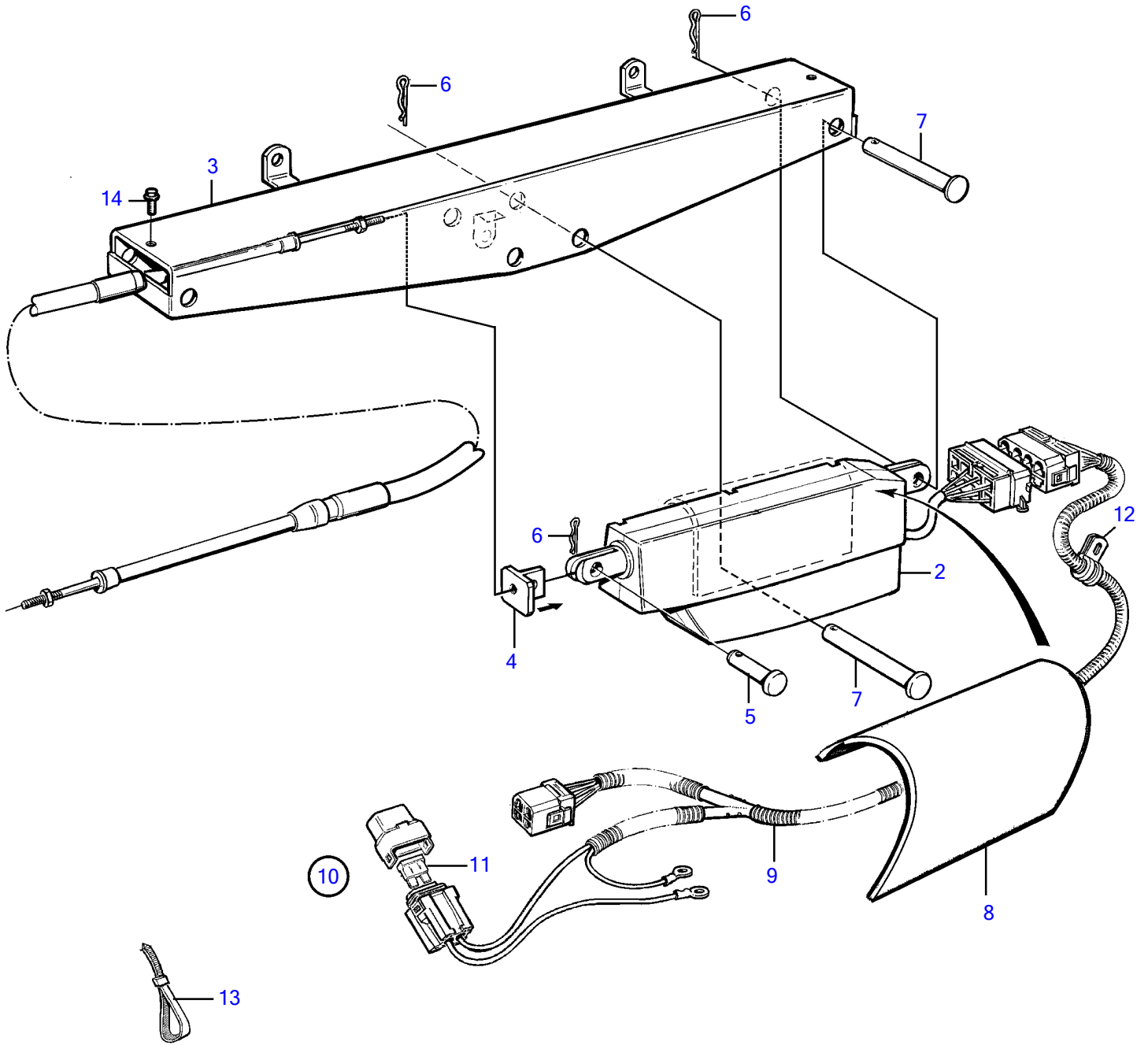


KAD43P-A, KAD44P-A, KAD44P-B, KAD44P-C, , KAMD300-A

1



18611

KAD43P-A, KAD44P-A, KAD44P-B, KAD44P-C, , KAMD300-A

| REF | PART NO. | QTY | DESCRIPTION | NOTES |
|-----|----------|-----|------------------------|--------|
| 1 | | 1 | Actuator | |
| 2 | 3582818 | 1 | • Actuator | |
| 3 | 3581577 | 1 | • Anchorage | |
| 4 | 3581578 | 1 | • Anchorage | |
| 5 | 964858 | 1 | • Clevis pin | D=10mm |
| | | 1 | • Clevis pin | D=8mm |
| 6 | 664822 | 3 | • Split pin | |
| 7 | 964865 | 2 | • Clevis pin | |
| 8 | 3581646 | 1 | • Spacer | |
| 9 | 873851 | 1 | • Cable kit | |
| 10 | 873852 | 1 | • • Fuse holder | |
| 11 | 969160 | 1 | • • • Fuse | 5A |
| 12 | 952628 | 1 | • Clamp | |
| 13 | 949666 | 10 | • Cable tie | |
| 14 | 969407 | 1 | • 6 point socket screw | |