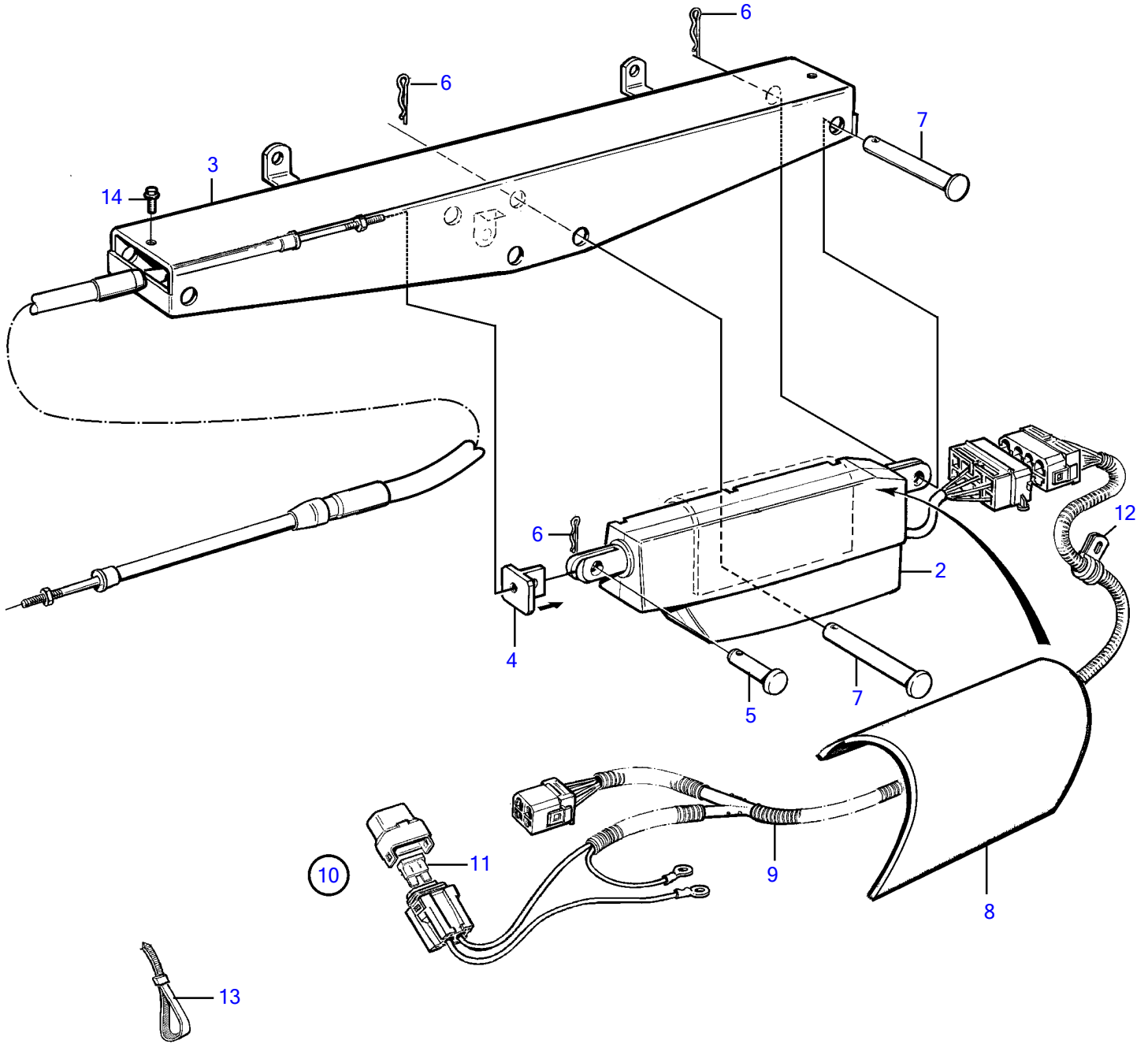


KAD43P-A, KAD44P-A, KAD44P-B, KAD44P-C, , KAMD300-A

1



18611

KAD43P-A, KAD44P-A, KAD44P-B, KAD44P-C, , KAMD300-A

REF	PART NO.	QTY	DESCRIPTION	NOTES
1		1	Actuator	
2	3582818	1	• Actuator	
3	3581577	1	• Anchorage	
4	3581578	1	• Anchorage	
5	964858	1	• Clevis pin	D=10mm
		1	• Clevis pin	D=8mm
6	664822	3	• Split pin	
7	964865	2	• Clevis pin	
8	3581646	1	• Spacer	
9	873851	1	• Cable kit	
10	873852	1	• • Fuse holder	
11	969160	1	• • • Fuse	5A
12	952628	1	• Clamp	
13	949666	10	• Cable tie	
14	969407	1	• 6 point socket screw	