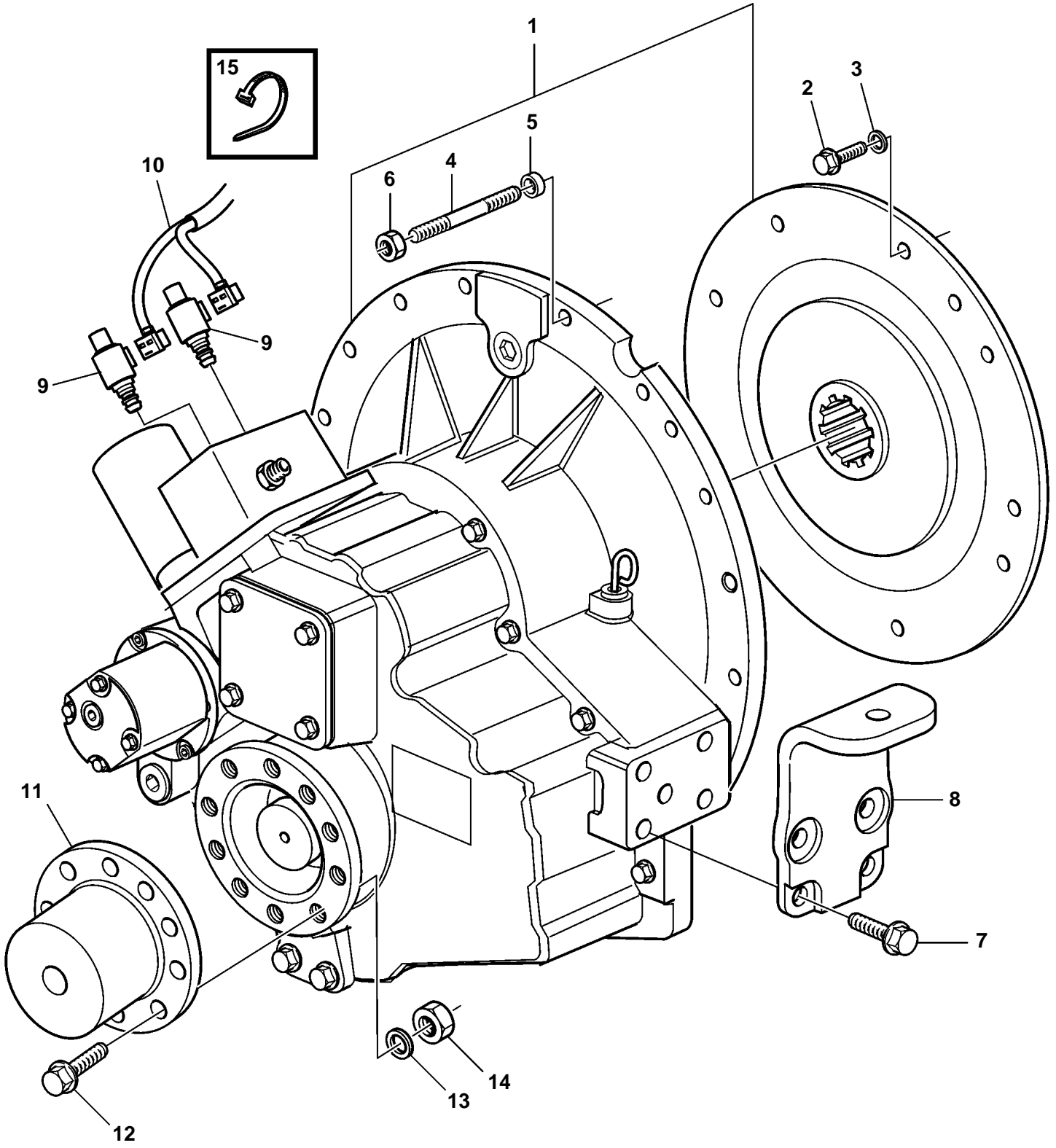


D9A2A D9-425, D9A2A D9-500 (R4), D9A2A D9-575, D9A2B 425, D9A2B D9-500 (R5), D9A2B D9-575, D9A2A D9A-MH, D9A2B MH



20810

D9A2A D9-425, D9A2A D9-500 (R4), D9A2A D9-575, D9A2B 425, D9A2B D9-500 (R5), D9A2B D9-575, D9A2A D9A-MH, D9A2B MH

REF	PART NO.	QTY	DESCRIPTION	NOTES
1		1	Reversing gear	RATIO 1.51:1
		1	Reversing gear	RATIO 1.75:1
		1	Reversing gear	
2	970954	8	Hexagon screw	
3	976945	8	Washer	
4	479972	12	Stud	
5	823575	12	Spacer sleeve	
6	971089	12	Lock nut	
7	968435	8	Flange screw	
8	3808128	2	Engine mountings	
9	3828564	2	Solenoid	12V
	3828565	2	Solenoid	24V
10	3594238	1	Wiring harness	(3808581)
11	3589507	1	Companion flange	
12		10	Hexagon screw	
13	941912	10	Spring washer	
14		10	Lock nut	
15	948211	X	Cable tie	