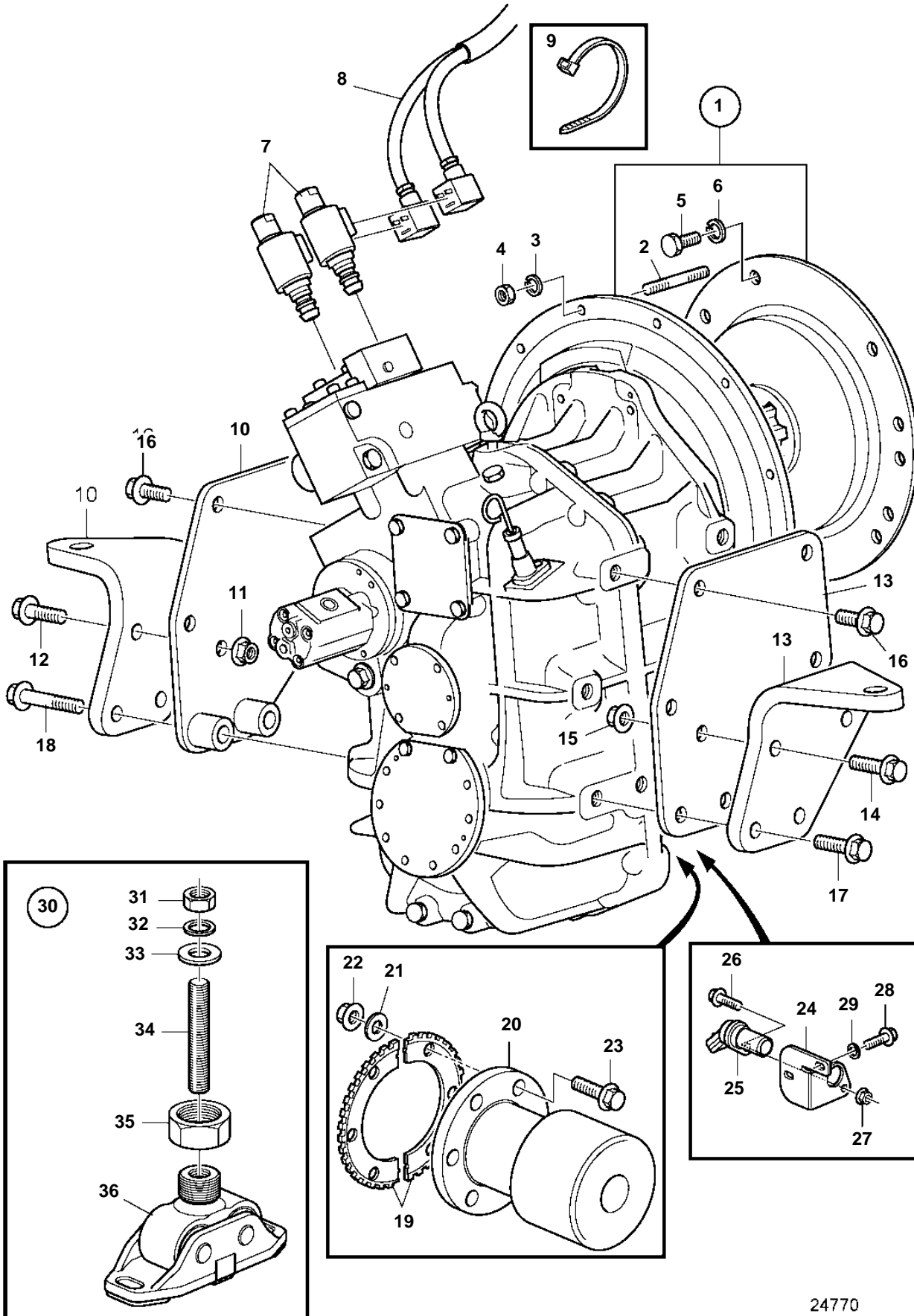


D9A2A D9-425, D9A2A D9-500 (R4), D9A2A D9-575, D9A2B 425, D9A2B D9-500 (R5), D9A2B D9-575



24770

D9A2A D9-425, D9A2A D9-500 (R4), D9A2A D9-575, D9A2B 425, D9A2B D9-500 (R5), D9A2B D9-575

REF	PART NO.	QTY	DESCRIPTION	NOTES
1		1	Reversing gear	RATIO 1.53:1
		1	Reversing gear	RATIO 1.81:1
		1	Reversing gear	RATIO 2.01:1
			· Parts not sold separately	
2	479972	12	Stud	
3	942336	12	Spring washer	
4	971089	12	Lock nut	
5	965186	8	Flange screw	
6	940097	8	Washer	
7	3843685	2	Starter solenoid	12V
	3589000	2	Starter solenoid	24V
8	3594238	1	Wiring harness	
9	948211	X	Cable tie	
10		1	Engine mountings	Port
11	966818	2	· Flange nut	
12	968436	2	· Flange screw	
13		1	Engine mountings	Starboard
14	968436	2	· Flange screw	
15	966818	2	· Flange nut	
16		8	Flange screw	
17	968436	2	Flange screw	
18	968298	2	Flange screw	
19	3842084	2	Gear ring	
20	842106	1	Companion flange	
21	941912	6	Spring washer	
22	950378	6	Lock nut	
23	955739	6	Hexagon screw	
24	3841063	1	Bracket	
25	20513343	1	Sensor	
26	946544	1	Flange screw	
27	949278	1	Flange lock nut	
28	967949	2	Flange screw	
29	949607	2	Spring washer	
30	3817318	2	Rubber cushion kit	
31	955786	1	· Hexagon nut	
32	990697	1	· Lock washer	
33	120224	1	· Washer	
34	3817323	1	· Adjusting screw	
35	3839409	1	· Nut	
36		1	· Bracket	