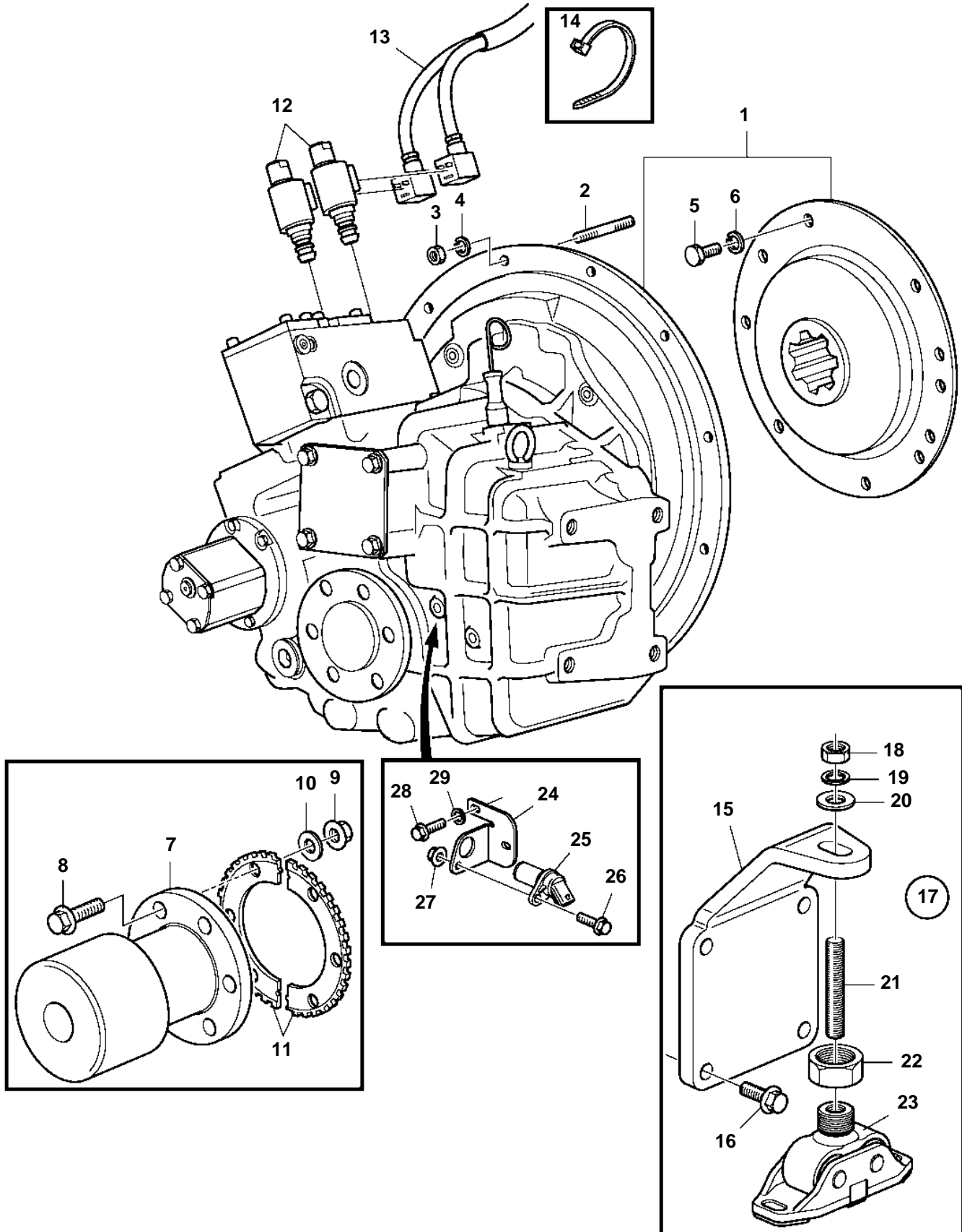


D9A2A D9-425, D9A2A D9-500 (R4), D9A2A D9-575, D9A2B 425, D9A2B D9-500 (R5), D9A2B D9-575



D9A2A D9-425, D9A2A D9-500 (R4), D9A2A D9-575, D9A2B 425, D9A2B D9-500 (R5), D9A2B D9-575

REF	PART NO.	QTY	DESCRIPTION	NOTES
1		1	Reversing gear	RATIO 1.48:1
		1	Reversing gear	RATIO 1.75:1
		1	Reversing gear	Ratio 1.96:1
			· Parts not sold separately	
2	479972	12	Stud	
3	971089	12	Lock nut	
4	942336	12	Spring washer	
5	965186	8	Flange screw	
6	940097	8	Washer	
7	842106	1	Companion flange	
8	955739	6	Hexagon screw	
9	950378	6	Lock nut	
10	941912	6	Spring washer	
11	3842084	2	Gear ring	
12	3828564	2	Solenoid	12V
	3589000	2	Starter solenoid	24V
13	3594238	1	Wiring harness	
14	948211	X	Cable tie	
15		2	Engine mountings	L=135mm
16	968435	8	Flange screw	
17	3817318	2	Rubber cushion kit	
18	955786	1	· Hexagon nut	
19	990697	1	· Lock washer	
20	120224	1	· Washer	
21	3817323	1	· Adjusting screw	
22	3839409	1	· Nut	
23		1	· Bracket	
24	3841063	1	Bracket	
25	20513343	1	Sensor	
26	946544	1	Flange screw	
27	949278	1	Flange lock nut	
28	967949	2	Flange screw	
29	949607	2	Spring washer	