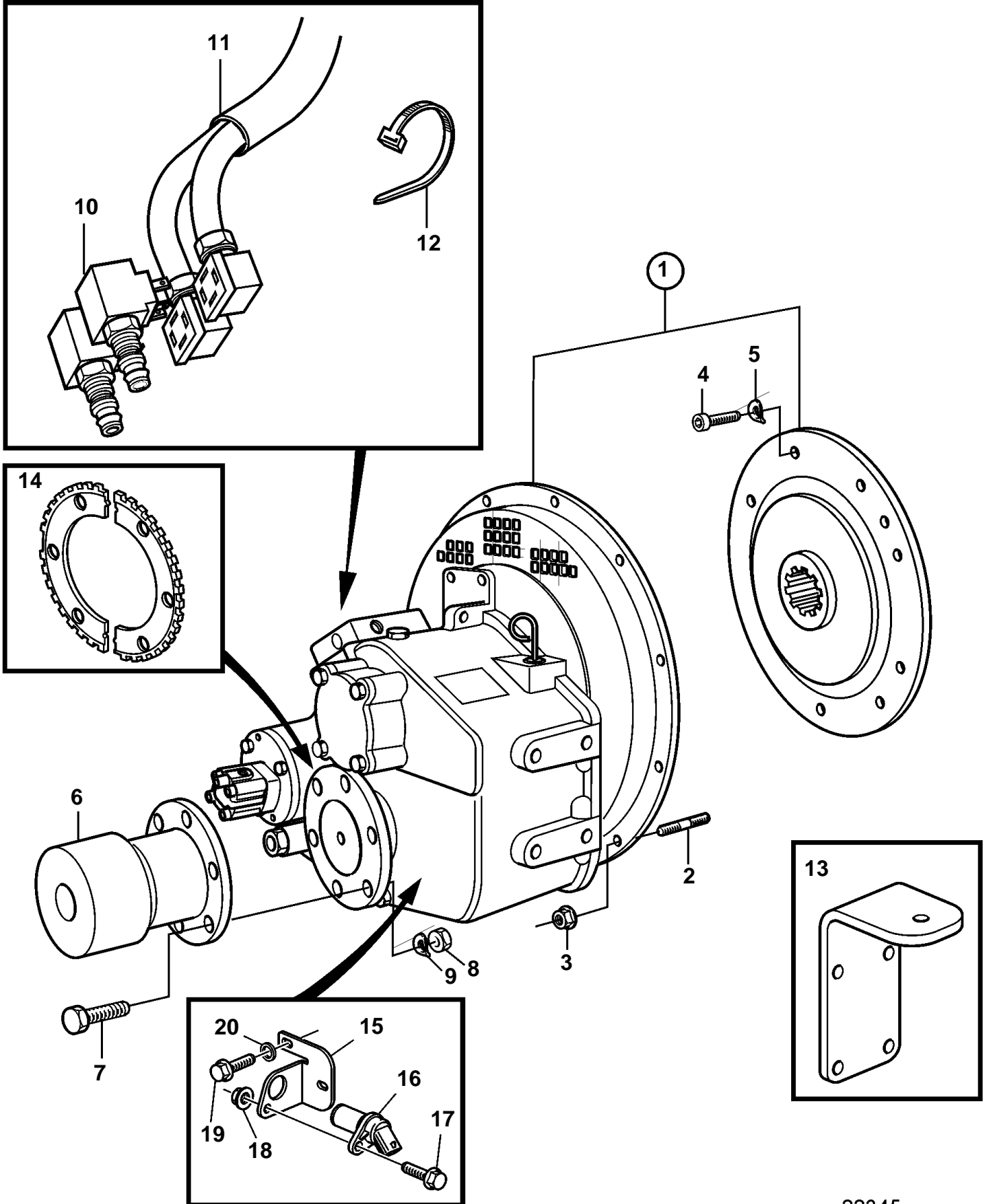


D9A2A D9-425, D9A2A D9-500 (R4), D9A2A D9-575, D9A2B 425, D9A2B D9-500 (R5), D9A2B D9-575



22345

Upd: 2009-12-16

22345

7746900 - 44 - 7534

D9A2A D9-425, D9A2A D9-500 (R4), D9A2A D9-575, D9A2B 425, D9A2B D9-500 (R5), D9A2B D9-575

REF	PART NO.	QTY	DESCRIPTION	NOTES
1		1	Reversing gear	RATIO 1.48:1
		1	Reversing gear	RATIO 1.77:1
		1	Reversing gear	RATIO 2.00:1
			· Parts not sold separately	
2	479972	12	Stud	
3	971089	12	Lock nut	
4	959238	8	Hex. socket screw	
5	940097	8	Washer	
6	842106	1	Companion flange	
7	955739	6	Hexagon screw	
8	950378	6	Lock nut	
9	941912	6	Spring washer	
10	3828564	2	Solenoid	12V
	3828565	2	Solenoid	24V
11	3594238	1	Wiring harness	
12	948211	X	Cable tie	
13	888229	2	Engine mountings	L=135mm
	888228	2	Engine mountings	L=175mm
14	3842084	2	Gear ring	
15	3841063	1	Bracket	
16	967949	2	Flange screw	
17	949607	2	Spring washer	
18	20513343	1	Sensor	
19	946544	1	Flange screw	
20	949278	1	Flange lock nut	