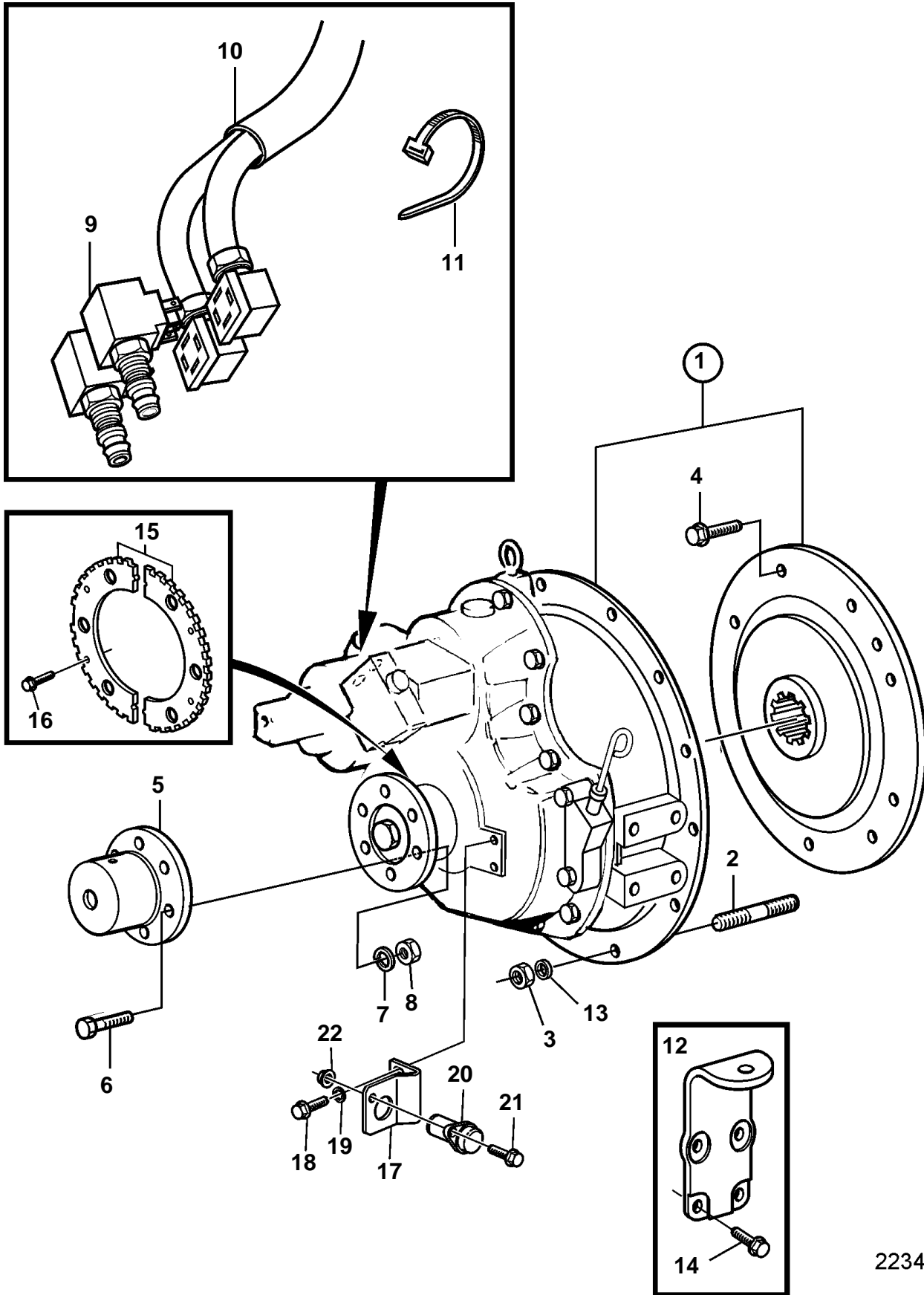


D9A2A D9-425, D9A2A D9-500 (R4), D9A2A D9-575, D9A2B 425, D9A2B D9-500 (R5), D9A2B D9-575, D9A2A D9A-MH, D9A2B MH



22348

D9A2A D9-425, D9A2A D9-500 (R4), D9A2A D9-575, D9A2B 425, D9A2B D9-500 (R5), D9A2B D9-575, D9A2A D9A-MH, D9A2B MH

REF	PART NO.	QTY	DESCRIPTION	NOTES
1		1	Reversing gear	RATIO 1.53:1
		1	Reversing gear	RATIO 1.77:1
		1	Reversing gear	RATIO 2.05:1
			· Parts not sold separately	
2	479972	12	Stud	
3	971089	12	Lock nut	
4	965185	8	Flange screw	
5	863994	1	Clutch flange	
6	955739	8	Hexagon screw	
7	941912	8	Spring washer	
8	950378	8	Lock nut	
9	3828564	1	Solenoid	12V
	3828565	1	Solenoid	24V
10	3594240	1	Wiring harness	
11	948211	X	Cable tie	
12	3838221	2	Engine mountings	
13	823575	12	Spacer sleeve	
14	968435	8	Flange screw	
15	3819857	2	Sensor wheel	
16	946544	4	Flange screw	
17	3843690	1	Bracket	
18	946440	2	Flange screw	
19	941907	2	Spring washer	
20	20513343	1	Sensor	
21	946544	1	Flange screw	
22	949278	1	Flange lock nut	