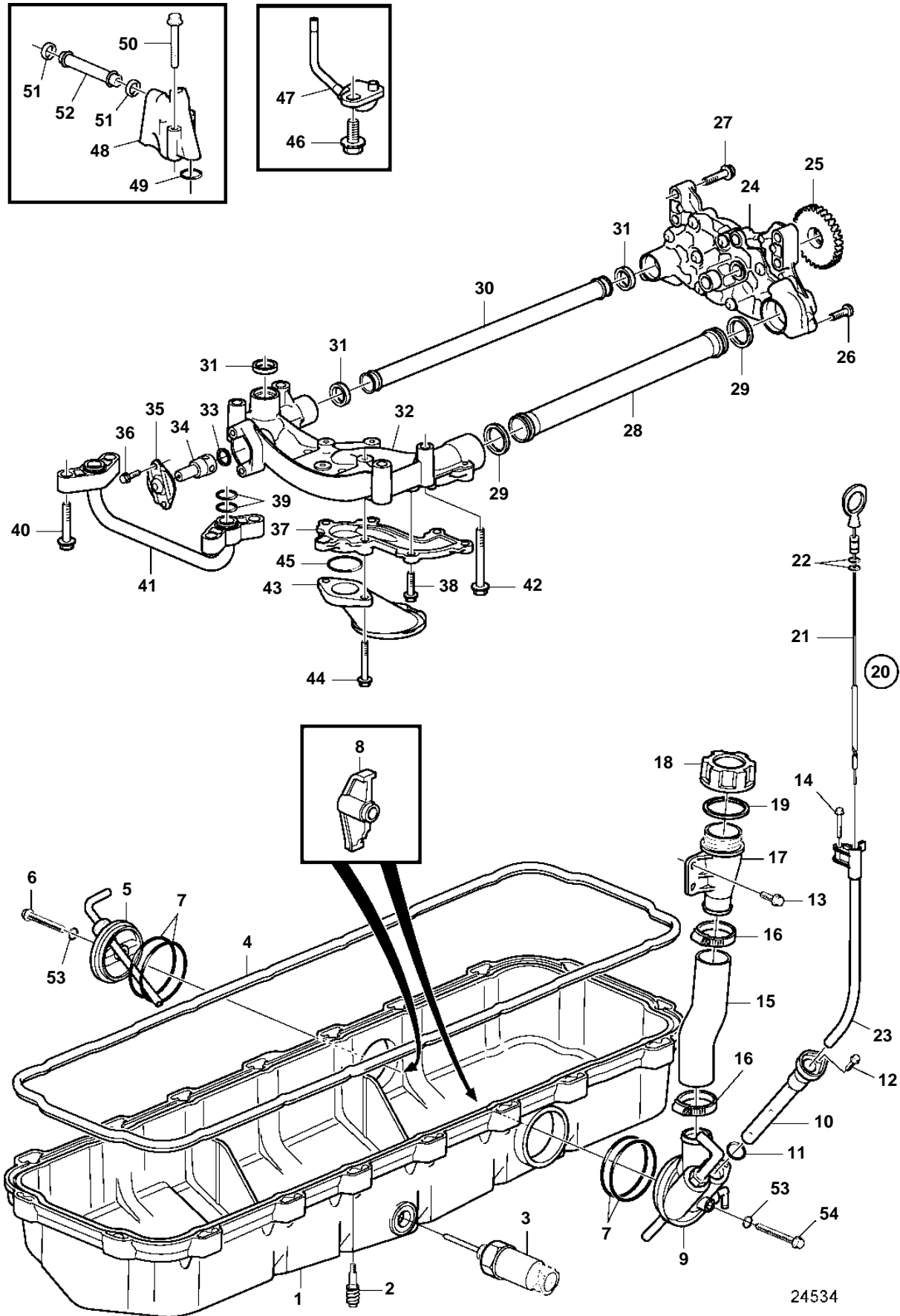


D9A2A D9-425, D9A2A D9-500 (R4), D9A2A D9-575, D9A2B 425, D9A2B D9-500 (R5), D9A2B D9-575



D9A2A D9-425, D9A2A D9-500 (R4), D9A2A D9-575, D9A2B 425, D9A2B D9-500 (R5), D9A2B D9-575

REF	PART NO.	QTY	DESCRIPTION	SEE SEC.	NOTES
1	3808491	1	Sump		
2	20463185	18	Flange screw		
3		1	Level sensor	7513	
4	20812484	1	Sealing strip		(8148213)
5	3809996	1	Cardboard tube		
6	965180	1	Flange screw		
7	967343	4	O-ring		
8	3812221	2	Retainer		(3838925)
9	3809994	1	Connector		
10	20724256	1	Pipe		(20464233)
11	949656	1	· O-ring		
12	946440	1	Flange screw		
13	946173	1	Flange screw		
14	975371	1	6 point socket screw		
15	3838923	1	Hose		
	3818351	1	Hose		Used when oil filler is mounted on right side.
16	943477	2	Hose clamp		
17	20808091	1	Oil filler pipe		
18	20807510	1	· Oil filler cap		
19	20365079	1	· · Gasket		
20	40005818	1	Oil dipstick, oil dipstick		
21	3847530	1	· Oil dipstick		
22	949187	2	· · O-ring		
23	3593605	1	· Pipe		
24	20758237	1	Oil pump		(20569856)
			Parts not sold separately		
25	8148139	1	· Gear		
26		10	· 6 point socket screw		
27	947760	4	Flange screw		
28	20405083	1	Suction pipe		
29	20451487	2	Sealing ring		
30	20405081	1	Pressure pipe		
31	21092243	3	Sealing ring		(8170558)
32	20412866	1	Valve housing		
33	469846	1	· Sealing ring		
34	3826265	1	· Reduction valve		
35	471648	1	· Cover		
36	946934	2	· Flange screw		
37			· Lock		
38	946671	5	· Flange screw		
39	471956	4	Gasket		
40	965186	4	Flange screw		
41	20412574	1	Pipe		
42	947790	4	Flange screw		
43	3586152	1	Oil strainer		
44	973924	2	Flange screw		
45	948610	1	O-ring		
46	966378	6	Flange screw		
47	8148129	6	Piston cooling jet		
48	8170702	1	Spacer		
49	1636309	1	Sealing ring		
50	3165142	2	Flange screw		
51	1677370	2	Sealing ring		
52	8148187	1	Connection pipe, rocker arm shaft		
53	990058	2	O-ring		
54	965184	1	Flange screw		