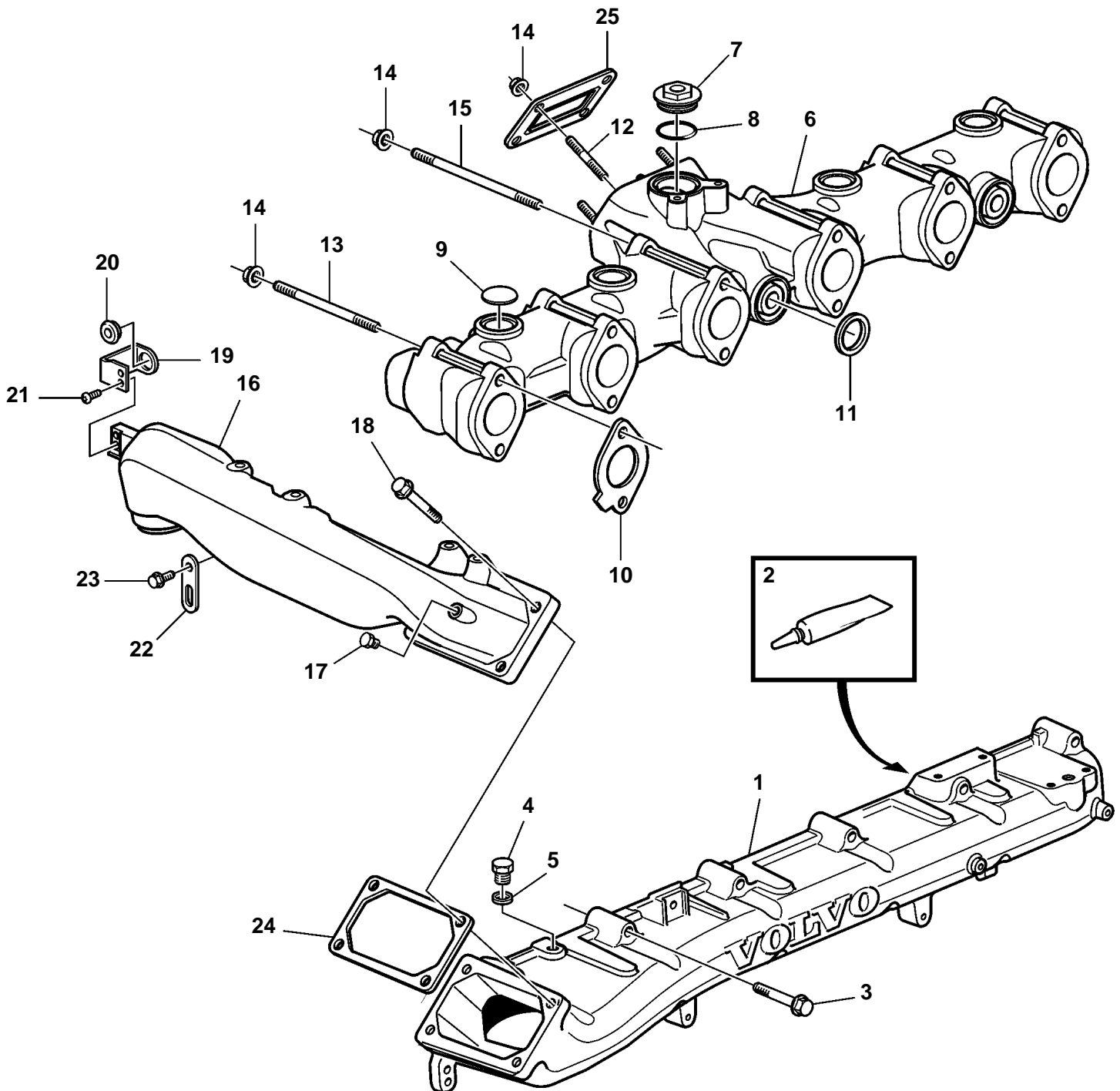


D9A2A D9-425, D9A2A D9-500 (R4), D9A2A D9-575, D9A2B 425, D9A2B D9-500 (R5), D9A2B D9-575, D9A2A D9A-MH, D9A2B MH



23433

D9A2A D9-425, D9A2A D9-500 (R4), D9A2A D9-575, D9A2B 425, D9A2B D9-500 (R5), D9A2B D9-575, D9A2A D9A-MH, D9A2B MH

REF	PART NO.	QTY	DESCRIPTION	NOTES
1	3161342	1	Inlet pipe	
2	1161231	X	Sealant	304ml
	1161277	X	Sealant	20g
3	965180	12	Flange screw	
4	960628	1	Plug	
5	947281	1	Gasket	
6	3838255	1	Exhaust manifold	
7	3807018	1	· Plug	
8	469328	1	· Gasket	
9	968955	13	· Expansion plug	
10	8148172	6	Gasket	
11	469982	2	Sealing ring	
12	20579303	4	Stud	(977299)
13	953007	8	Stud	
14	471622	16	Flange lock nut	
15	948932	4	Stud	
16	3588494	1	Pipe flange	
17	960628	1	Plug	
18	947760	4	Flange screw	
19	3818093	1	Bracket	
20	673989	1	Grommet	
21	940326	2	Hex. socket screw	
22	965534	1	Bracket	
23	946440	2	Flange screw	
24	477314	1	Gasket	
25	20781146	1	Gasket	(8194365)