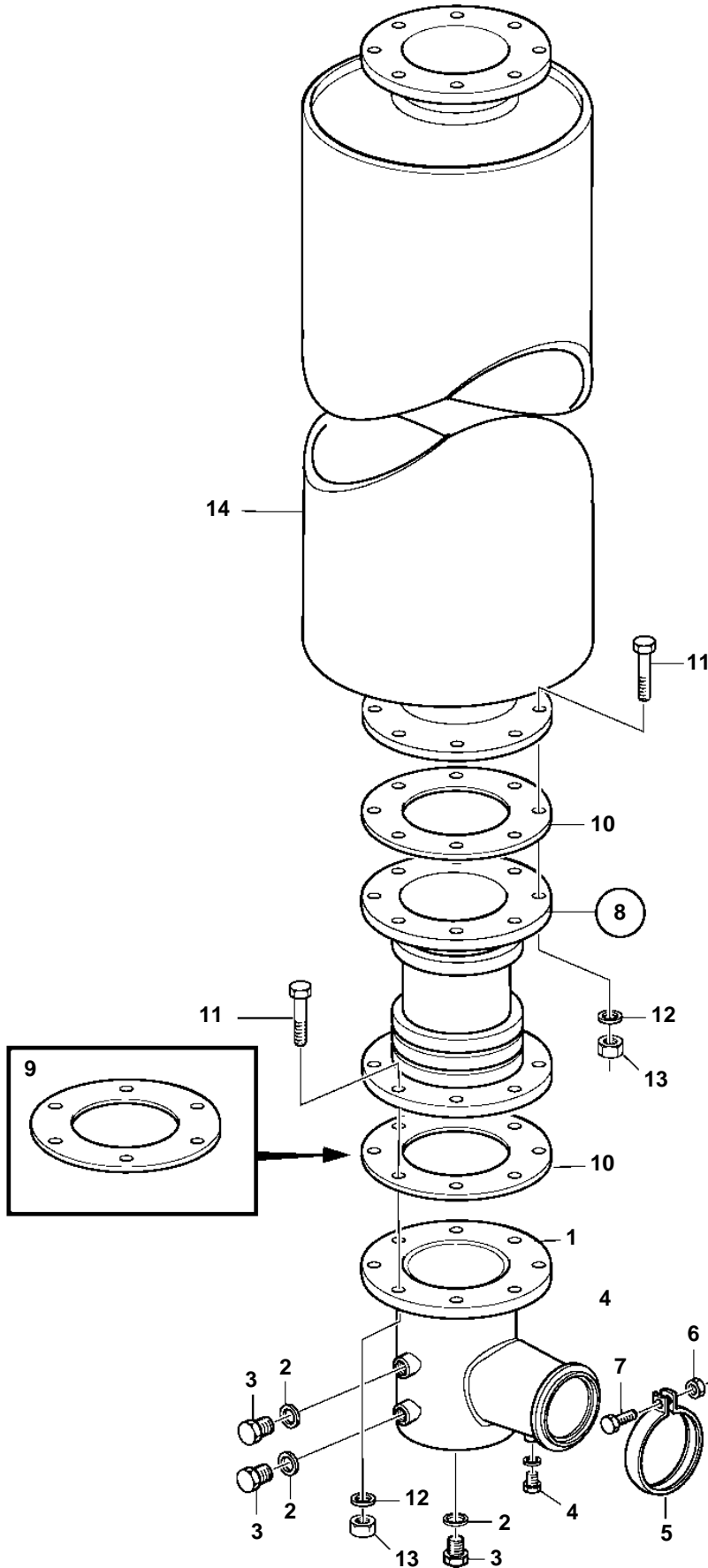


D9A2A D9A-MH, D9A2B MH



21866

D9A2A D9A-MH, D9A2B MH

REF	PART NO.	QTY	DESCRIPTION	NOTES
1	3818119	1	Exhaust riser	
2	947626	3	Gasket	
3	914392	3	Plug	
4	479979	1	Plug	
5	1556930	1	Clamp	
6	948645	1	Flange lock nut	
7	973924	1	Flange screw	
8	865300	1	Compensator	
9	849981	X	· Flange	
10	862950	X	· Gasket	
11	955366	16	· Hexagon screw	
12	941912	16	· Spring washer	
13	955785	16	· Hexagon nut	
14	849832	1	Muffler	
	3830517	1	Muffler	With spark arrestor.