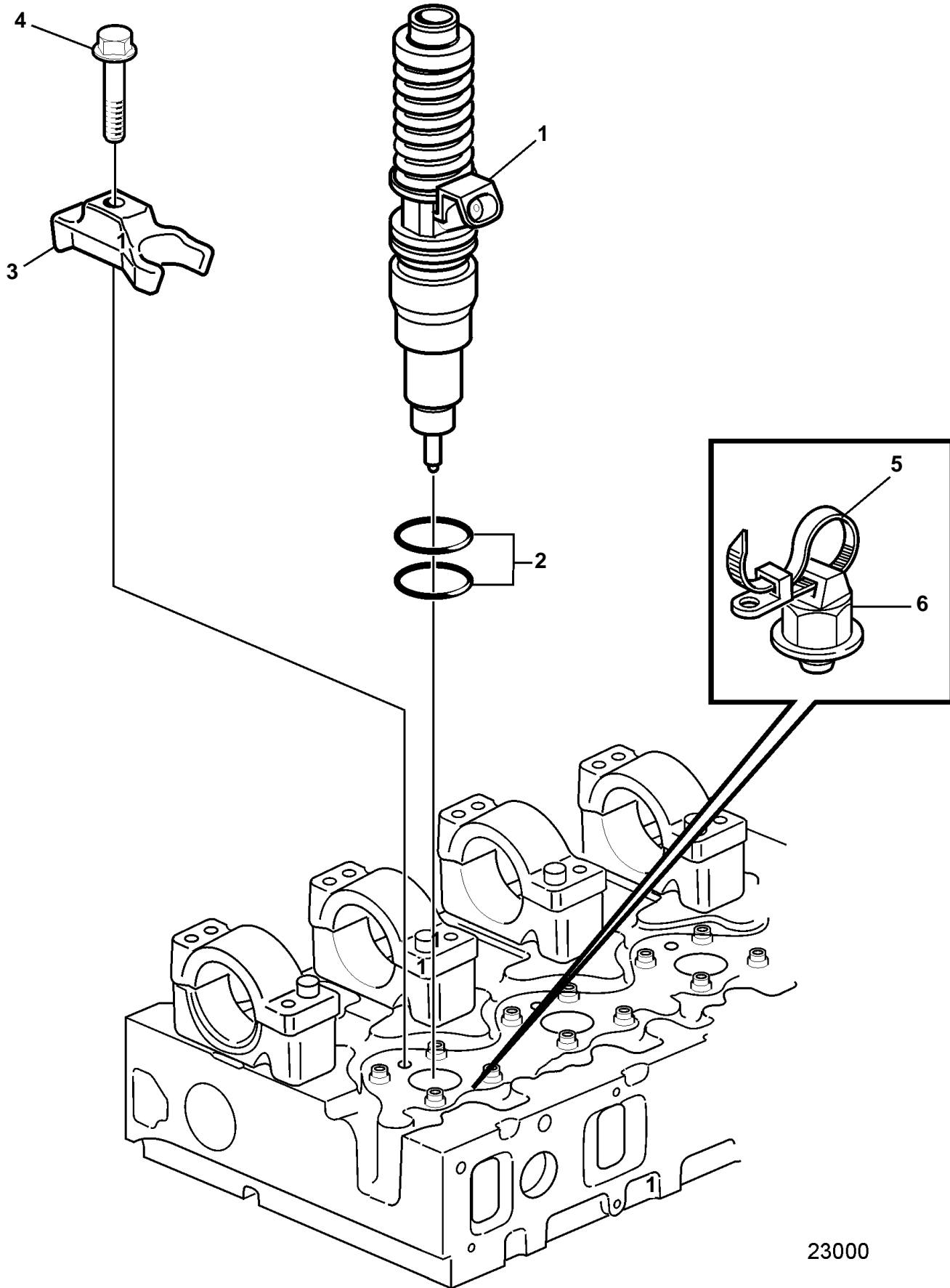


D9A2B 425, D9A2B D9-500 (R5), D9A2B D9-575



23000

D9A2B 425, D9A2B D9-500 (R5), D9A2B D9-575

REF	PART NO.	QTY	DESCRIPTION	NOTES
1	3803883	6	Unit injector, exch	SN7009114519-, Rating 4 & 5
2	276948	1	• O-ring kit, set	
3	20440280	6	Yoke	
4	8131597	6	Flange screw	
5	990073	X	Cable tie	For cable to unit injectors., Oil and heat resistant
6	8131393	5	Retainer	For cable to unit injectors.