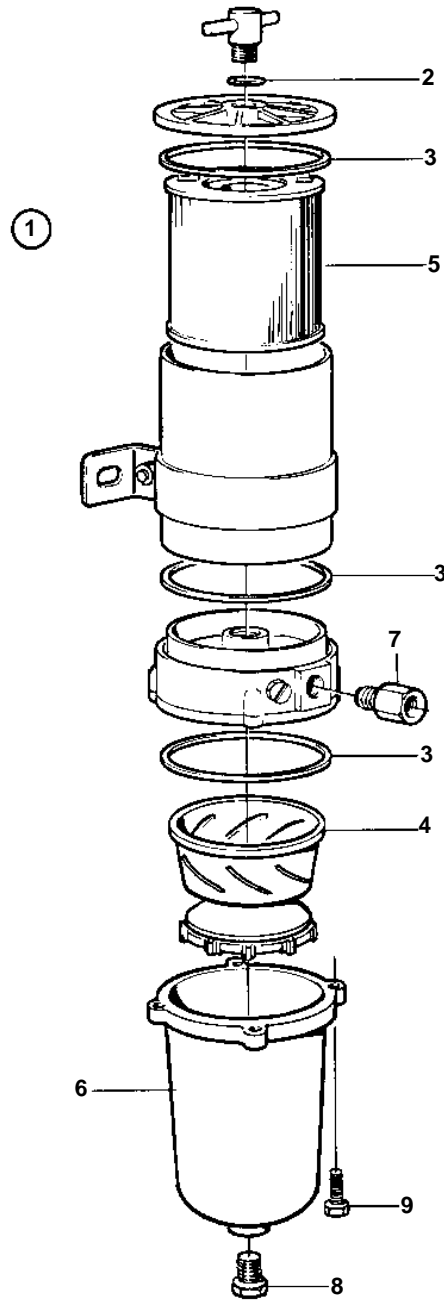


D9A2A D9-425, D9A2A D9-500 (R4), D9A2A D9-575, D9A2B 425, D9A2B D9-500 (R5), D9A2B D9-575, D9A2A D9A-MH, D9A2B MH, D9A2C D9A-MH, D9A2C D9-425, D9A2D D9-500 (R5), D9A2E D9-425, D9A2F D9-575



15385

D9A2A D9-425, D9A2A D9-500 (R4), D9A2A D9-575, D9A2B 425, D9A2B D9-500 (R5), D9A2B D9-575, D9A2A D9A-MH, D9A2B MH, D9A2C D9A-MH, D9A2C D9-425, D9A2D D9-500 (R5), D9A2E D9-425, D9A2F D9-575

REF	PART NO.	QTY	DESCRIPTION	SEE SEC.	NOTES
1	3825018	1	Fuel filter		REPL BY 877768
			· Bulletin 50-11A	50-11A-EN	Fuel Filters / Water Separators
1	877768	1	Fuel filter		
2	838506	1	· O-ring		
3	846719	3	· Gasket		
4	3825028	1	· Turbine		
5	3838852	1	· Fuel filter insert		(3825027) 10 micron
6	3838851	1	· Bowl		Metal Bowl., (848293)
7	846620	2	· Nipple		
8	952075	1	· Plug		
9	940094	4	· Hexagon screw		