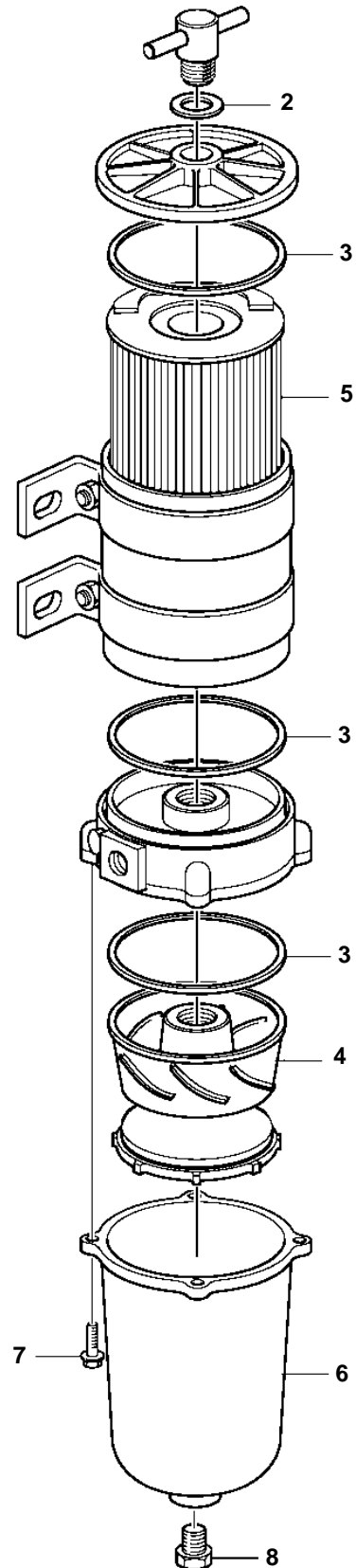
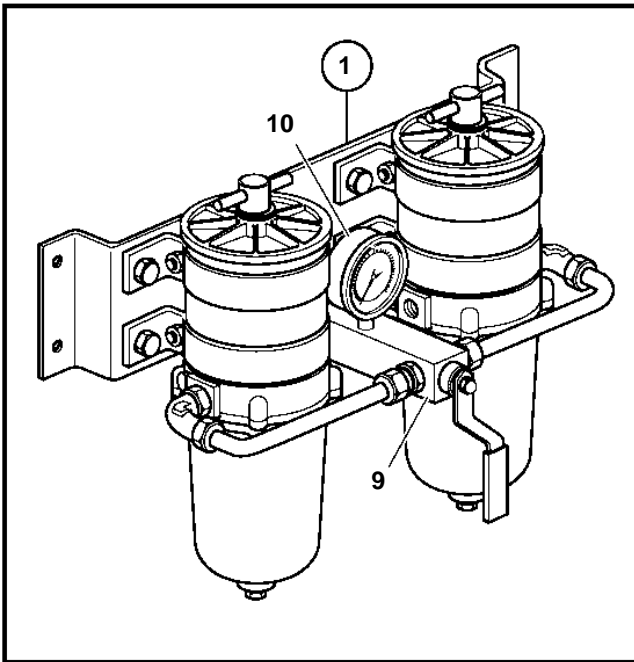


D9A2A D9-425, D9A2A D9-500 (R4), D9A2A D9-575, D9A2B 425, D9A2B D9-500 (R5), D9A2B D9-575, D9A2A D9A-MH, D9A2B MH, D9A2C D9A-MH, D9A2C D9-425, D9A2D D9-500 (R5), D9A2E D9-425, D9A2F D9-575



D9A2A D9-425, D9A2A D9-500 (R4), D9A2A D9-575, D9A2B 425, D9A2B D9-500 (R5), D9A2B D9-575, D9A2A D9A-MH, D9A2B MH, D9A2C D9A-MH, D9A2C D9-425, D9A2D D9-500 (R5), D9A2E D9-425, D9A2F D9-575

| REF | PART NO. | QTY | DESCRIPTION          | NOTES     |
|-----|----------|-----|----------------------|-----------|
| 1   | 877770   | 1   | Fuel filter          | LATE TYPE |
| 2   | 838505   | 2   | · O-ring             |           |
| 3   | 846719   | 6   | · Gasket             |           |
| 4   |          | 2   | · Turbine            |           |
| 5   | 3838852  | 2   | · Fuel filter insert |           |
| 6   | 3838851  | 2   | · Bowl               |           |
| 7   | 940094   | 8   | · Hexagon screw      |           |
| 8   | 952075   | 2   | · Plug               |           |
| 9   | 3827300  | 2   | · Block              |           |
| 10  | 3827299  | 2   | · Manometer          |           |