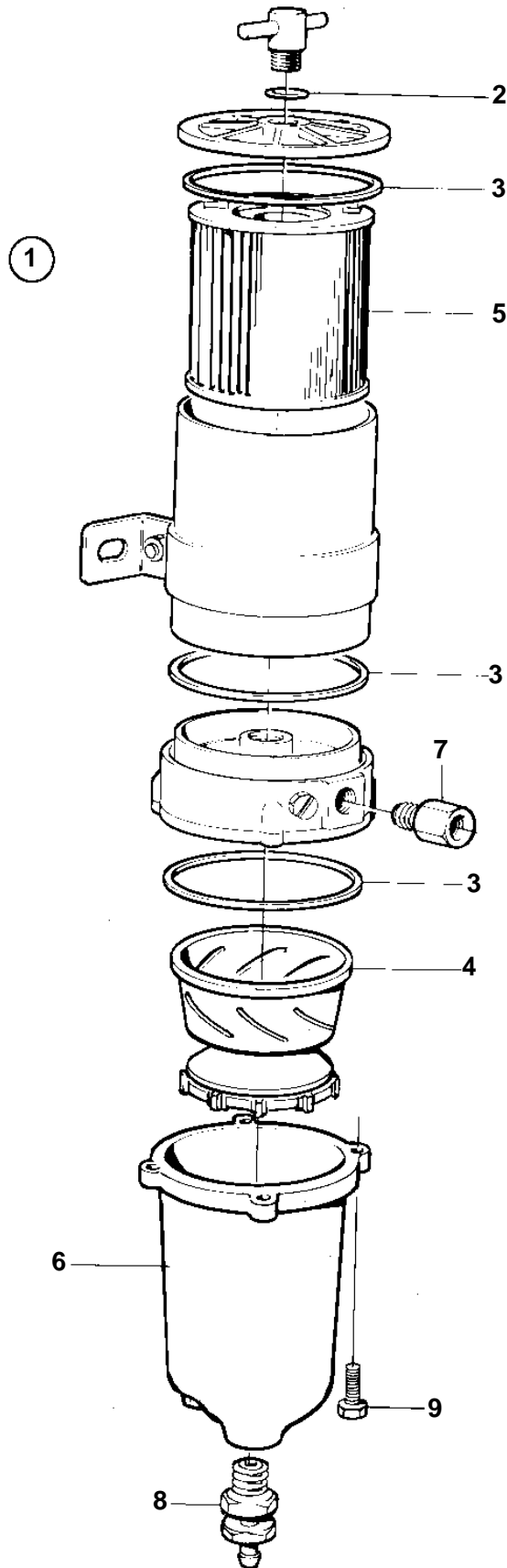


D9A2A D9-425, D9A2A D9-500 (R4), D9A2A D9-575, D9A2B 425, D9A2B D9-500 (R5), D9A2B D9-575, D9A2A D9A-MH, D9A2B MH, D9A2C D9A-MH, D9A2C D9-425, D9A2D D9-500 (R5), D9A2E D9-425, D9A2F D9-575



16650

D9A2A D9-425, D9A2A D9-500 (R4), D9A2A D9-575, D9A2B 425, D9A2B D9-500 (R5), D9A2B D9-575, D9A2A D9A-MH, D9A2B MH, D9A2C D9A-MH, D9A2C D9-425, D9A2D D9-500 (R5), D9A2E D9-425, D9A2F D9-575

REF	PART NO.	QTY	DESCRIPTION	SEE SEC.	NOTES
1	3825020	1	Fuel filter		REPL BY 877769
			• Bulletin 50-10	50-10-EN	Changes in Fuel Filter Program due to Legislation
			• Bulletin 50-11A	50-11A-EN	Fuel Filters / Water Separators
1	877769	1	Fuel filter		
2	838505	1	• O-ring		
3	846719	3	• Gasket		
4	3825028	1	• Turbine		
5	3838852	1	• Fuel filter insert		
6	3838853	1	• Bowl		Transparent Bowl.
7	846620	2	• Nipple		
8	3825031	1	• Faucet		
9	940094	4	• Hexagon screw		