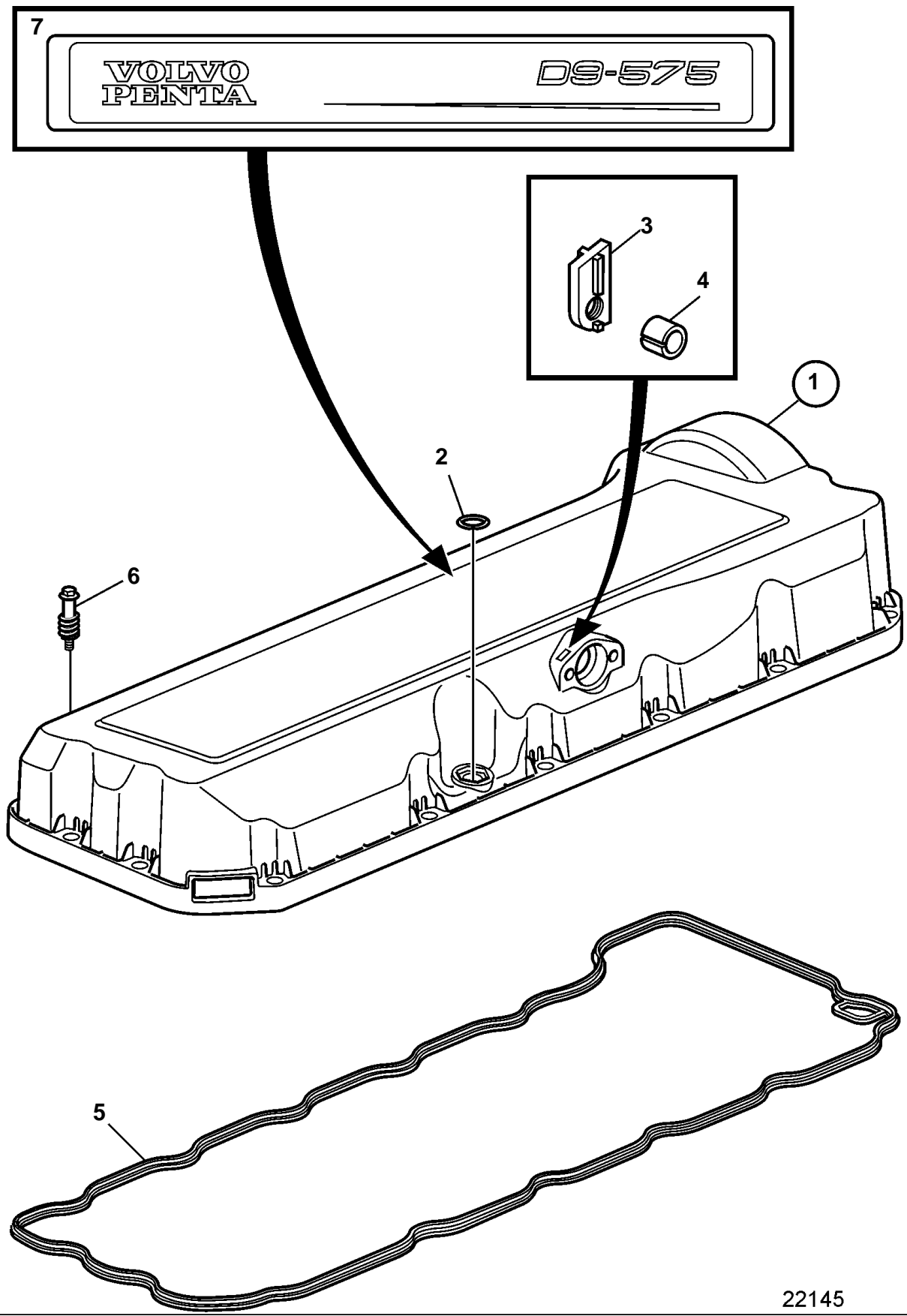


D9A2A D9-425, D9A2A D9-500 (R4), D9A2A D9-575, D9A2B 425, D9A2B D9-500 (R5), D9A2B D9-575, D9A2A D9A-MH, D9A2B MH



22145

D9A2A D9-425, D9A2A D9-500 (R4), D9A2A D9-575, D9A2B 425, D9A2B D9-500 (R5), D9A2B D9-575, D9A2A D9A-MH, D9A2B MH

REF	PART NO.	QTY	DESCRIPTION	NOTES
1	20797677	1	Valve cover	
2	949657	1	· O-ring	
3		2	· Washer	
4		2	· Bushing	
5	8148049	1	Sealing strip	
6	20463185	16	Flange screw	(20538726)
7	3807273	1	Decal	D9-575
	3807272	1	Decal	D9-500
	3808978	1	Decal	D9-425
	3808976	1	Decal	D9-MH