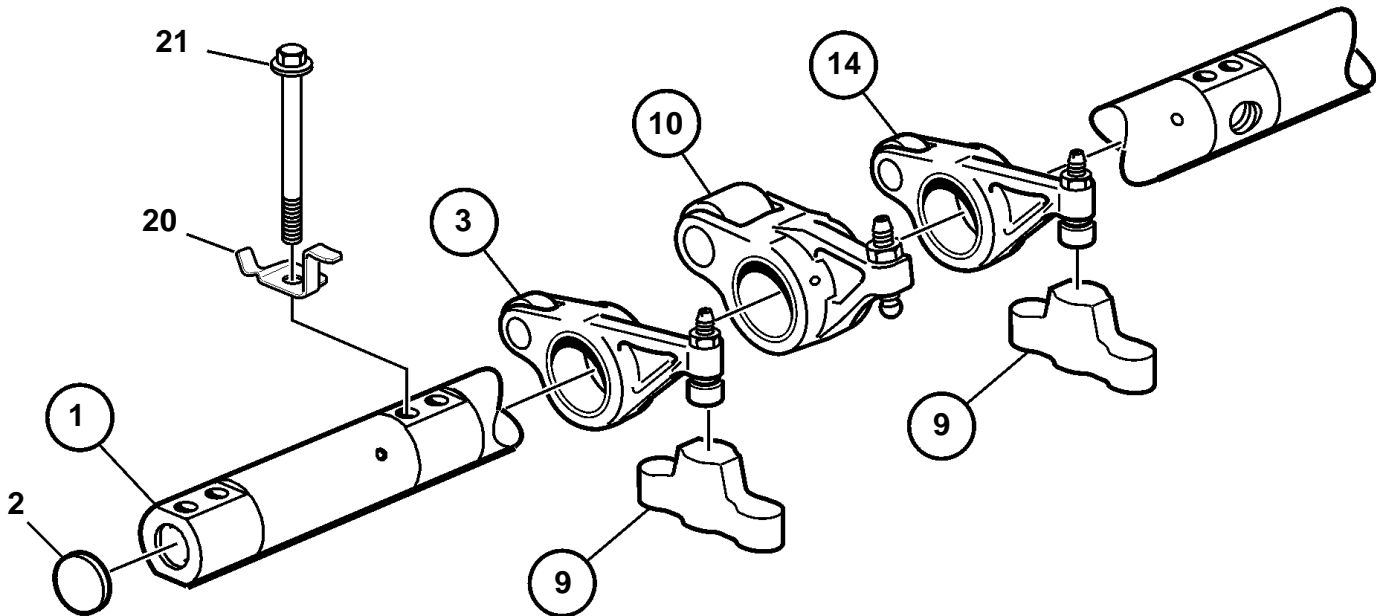
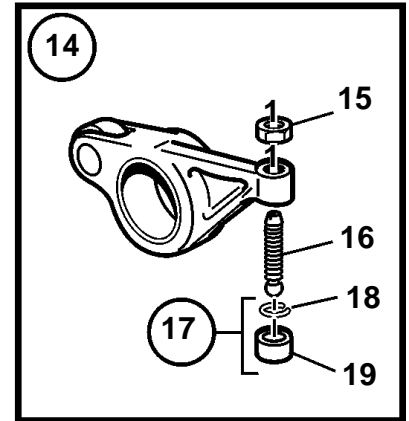
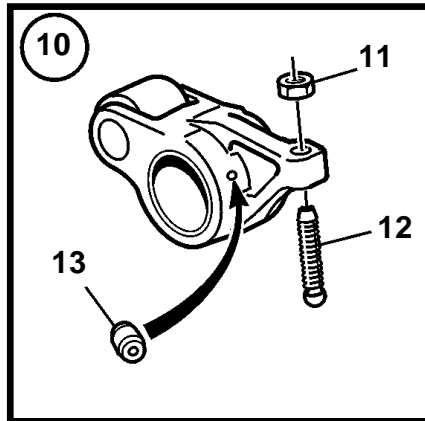
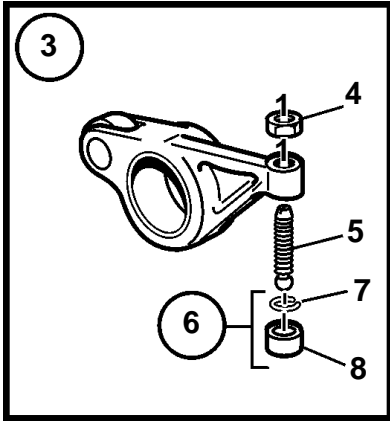


D9A2A D9-425, D9A2A D9-500 (R4), D9A2A D9-575, D9A2B 425, D9A2B D9-500 (R5), D9A2B D9-575, D9A2A D9A-MH, D9A2B MH



20628

D9A2A D9-425, D9A2A D9-500 (R4), D9A2A D9-575, D9A2B 425, D9A2B D9-500 (R5), D9A2B D9-575, D9A2A D9A-MH, D9A2B MH

REF	PART NO.	QTY	DESCRIPTION	NOTES
1	8148088	1	Rocker arm shaft	
2	955096	2	· Expansion plug	(980176)
3	20885082	6	Rocker arm, intake	(8148082)
4	946911	1	· Hexagon nut	
5	1546458	1	· Ball stud	
6	20441753	1	· Ball socket	
7	944364	1	· · O-ring	
8		1	· · Ball seat	
9	20516004	12	Valve yoke	
10	20381702	6	Rocker arm, fuel injector	Superseded by 21023450
	21023450	6	Rocker arm, fuel injector	
11	1677396	6	· Hexagon nut	
12	1546775	6	· Ball stud	
13	3964817	6	· Jet	
14	8148080	6	Rocker arm	
15	946911	1	· Hexagon nut	
16	1546458	1	· Ball stud	
17	20441753	1	· Ball socket	
18	944364	1	· · O-ring	
19		1	· · Ball seat	
20	8148186	6	Leaf spring	
21	20412482	7	Flange screw	