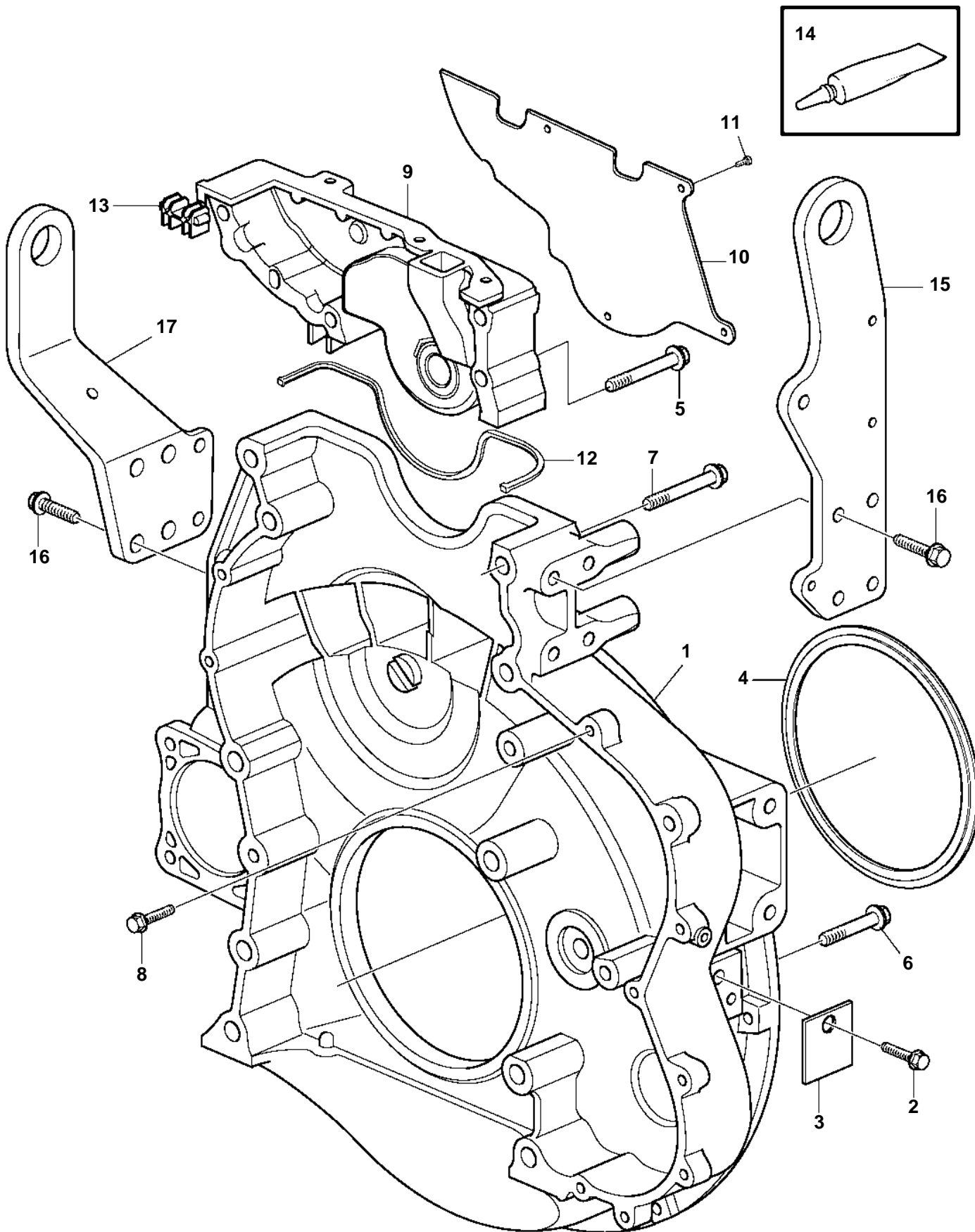


D9A2A D9-425, D9A2A D9-500 (R4), D9A2A D9-575, D9A2B 425, D9A2B D9-500 (R5), D9A2B D9-575



D9A2A D9-425, D9A2A D9-500 (R4), D9A2A D9-575, D9A2B 425, D9A2B D9-500 (R5), D9A2B D9-575

REF	PART NO.	QTY	DESCRIPTION	NOTES
1	3587606	1	Flywheel housing	
2	946501	1	· Flange screw	
3	3839406	1	· Cardboard tube	
4	8148259	1	Crankshaft seal	
5	965180	2	Flange screw	L=60mm
	965182	3	Flange screw	L=80mm
6	966367	6	Flange screw	L=100mm
	966369	1	Flange screw	L=120mm
7	965197	4	Flange screw	L=100mm
8	946173	4	Flange screw	L=20mm
	975199	2	Flange screw	L=35mm
	975192	1	Flange screw	L=100mm
9	20728511	1	Timing gear cover	(20451300)
10		1	· Lock	
11		4	· Rivet	
12	20564008	1	Sealing strip	(20547565)
13	20572441	2	Gasket	
14	1161231	X	Sealant	304ml
	1161277	X	Sealant	20g
15		1	Lifting eye	P
16	965225	8	Flange screw	
17	3586761	1	Lifting eye	S.B