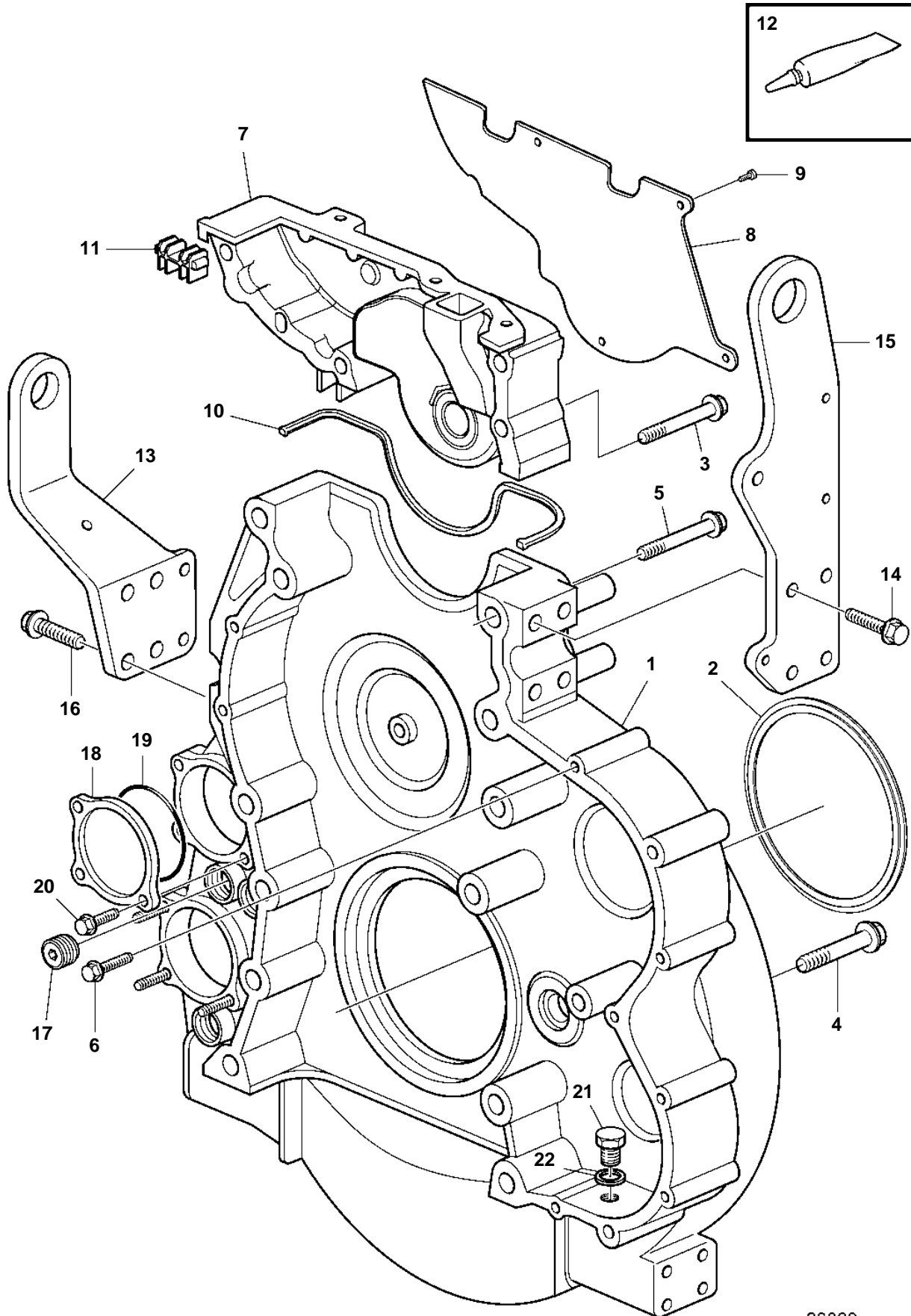


D9A2A D9A-MH, D9A2B MH



23399

D9A2A D9A-MH, D9A2B MH

REF	PART NO.	QTY	DESCRIPTION	NOTES
1	40005625		Flywheel housing	(3587453)
2	8148259	1	Crankshaft seal	
3	965180	2	Flange screw	L=60mm
	965182	3	Flange screw	L=80mm
4	966367	6	Flange screw	L=100mm
	966369	1	Flange screw	L=120mm
5	965197	4	Flange screw	L=100mm
6	946173	4	Flange screw	L=20mm
	946470	2	Flange screw	L=35mm
	975192	1	Flange screw	L=100mm
7	20728511	1	Timing gear cover	(20451300)
8		1	· Lock	
9		4	· Rivet	
10	20564008	1	Sealing strip	(20547565)
11	20572441	2	Gasket	
12	1161277	X	Sealant	20g
	1161231	X	Sealant	304ml
13	3586761	1	Lifting eye	P
14	965225	4	Flange screw	M12x35mm
15		1	Lifting eye	S.B
16	965225	4	Flange screw	M12x35mm
17	467367	1	Plug	
18	3836387	1	Cardboard tube	
19	949735	1	O-ring	
20	965192	3	Flange screw	
21	960632	1	Plug	
22	11998	1	Gasket	