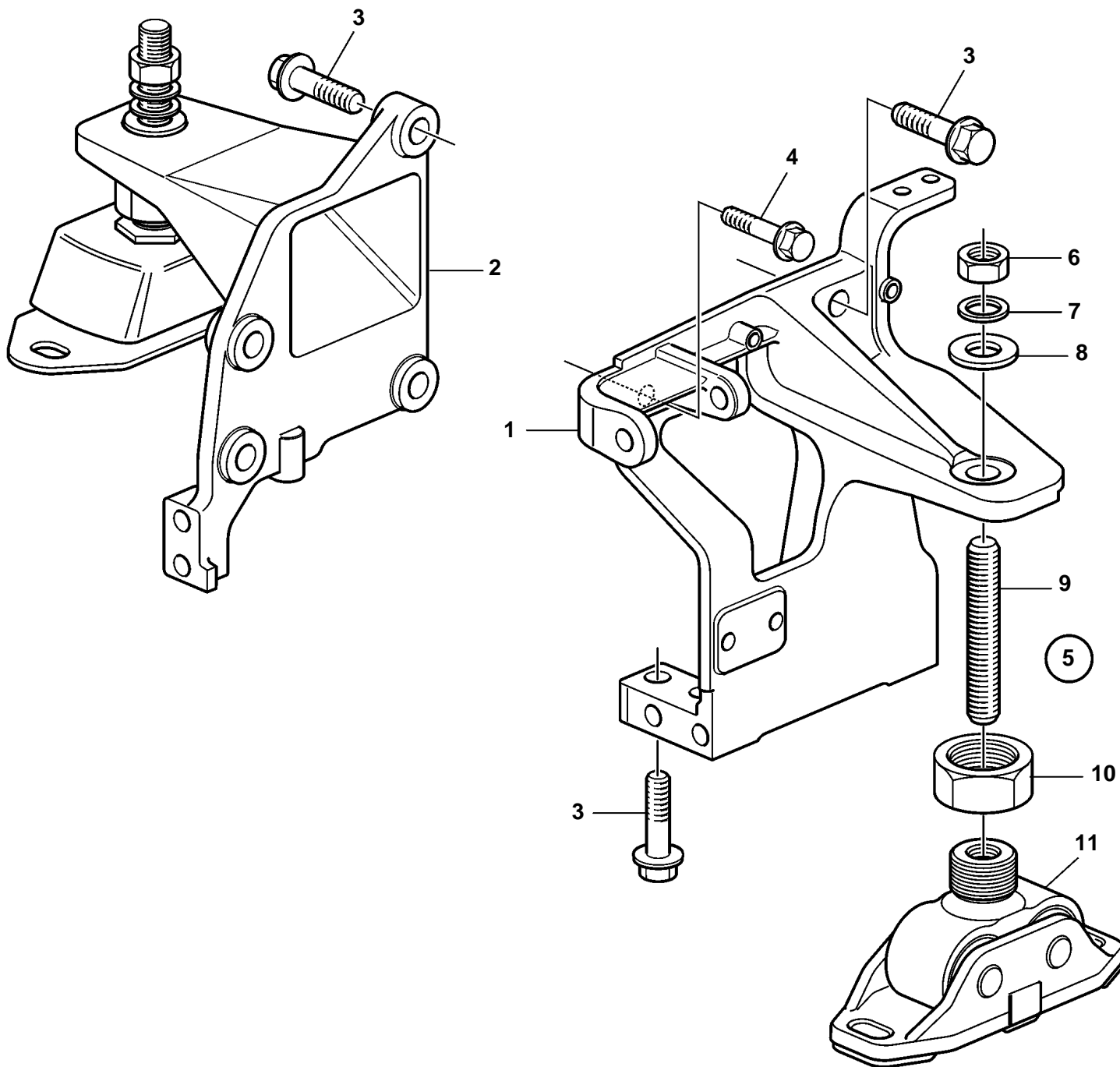


D9A2A D9-425, D9A2A D9-500 (R4), D9A2A D9-575, D9A2B 425, D9A2B D9-500 (R5), D9A2B D9-575, D9A2A D9A-MH, D9A2B MH



23401

D9A2A D9-425, D9A2A D9-500 (R4), D9A2A D9-575, D9A2B 425, D9A2B D9-500 (R5), D9A2B D9-575, D9A2A D9A-MH, D9A2B MH

| REF | PART NO. | QTY | DESCRIPTION | NOTES |
|-----|----------|-----|--------------------|-------|
| 1 | 3807514 | 1 | Engine mountings | |
| 2 | 3838920 | 1 | Engine mountings | |
| 3 | 968436 | 8 | Flange screw | |
| 4 | 946472 | 1 | Flange screw | |
| 5 | 3817318 | 2 | Rubber cushion kit | 45 SH |
| 6 | 955786 | 1 | · Hexagon nut | |
| 7 | 990697 | 1 | · Lock washer | |
| 8 | 120224 | 1 | · Washer | |
| 9 | 3817323 | 1 | · Adjusting screw | |
| 10 | 3839409 | 1 | · Nut | |
| 11 | | 1 | · Bracket | |