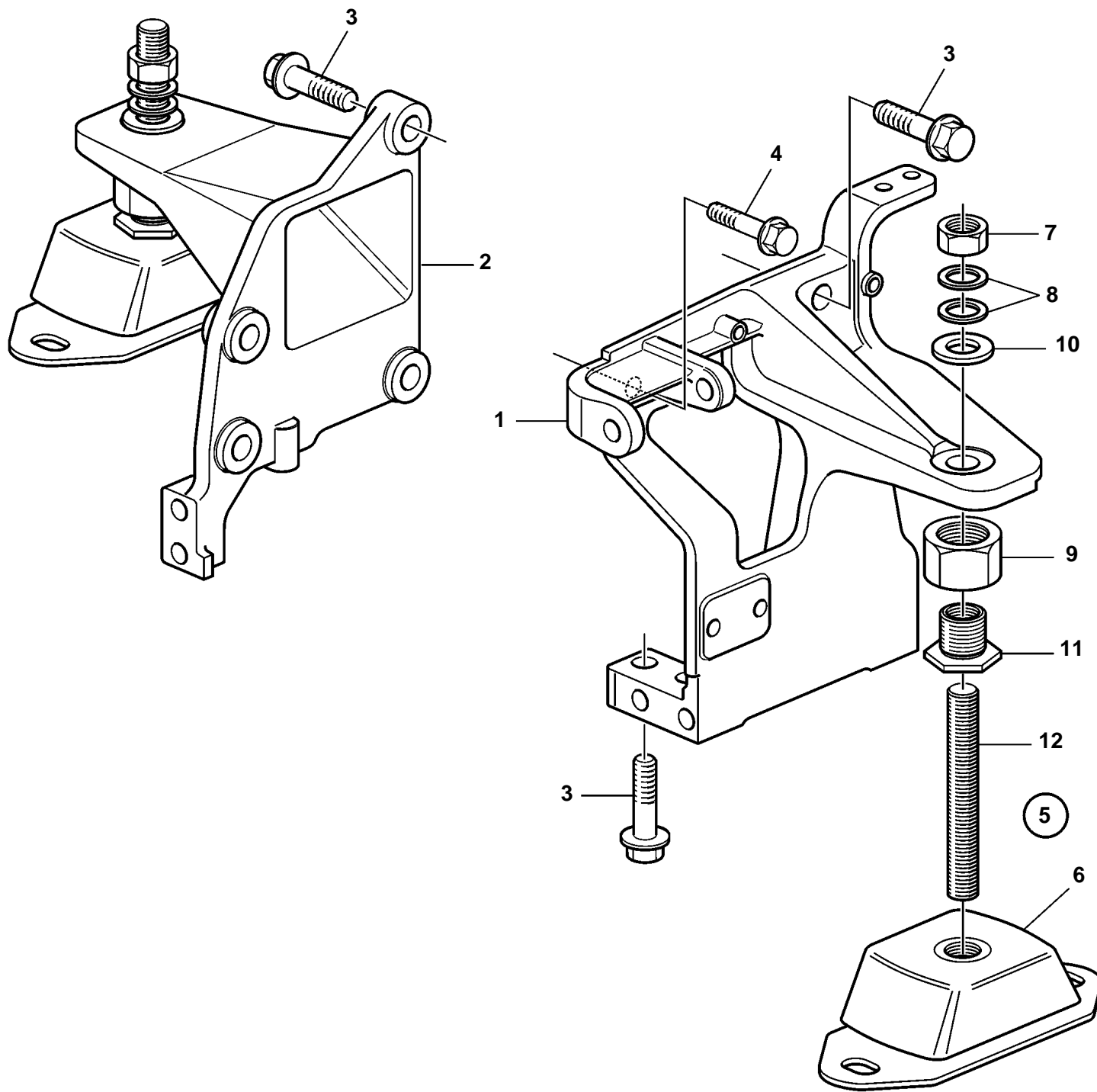


D9A2A D9-425, D9A2A D9-500 (R4), D9A2A D9-575, D9A2B 425, D9A2B D9-500 (R5), D9A2B D9-575, D9A2A D9A-MH, D9A2B MH



20642

D9A2A D9-425, D9A2A D9-500 (R4), D9A2A D9-575, D9A2B 425, D9A2B D9-500 (R5), D9A2B D9-575, D9A2A D9A-MH, D9A2B MH

REF	PART NO.	QTY	DESCRIPTION	NOTES
1	3807514	1	Engine mountings	
2	3838920	1	Engine mountings	
3	968436	8	Flange screw	
4	946472	1	Flange screw	
5	889841	2	Engine mountings	70 SH
6	862347	1	· Rubber cushion	
7	955786	1	· Hexagon nut	
8	847766	1	· Lock washer	
9	3839409	1	· Nut	
10	120224	1	· Washer	
11	3839411	1	· Sleeve	
12		1	· Adjusting screw	