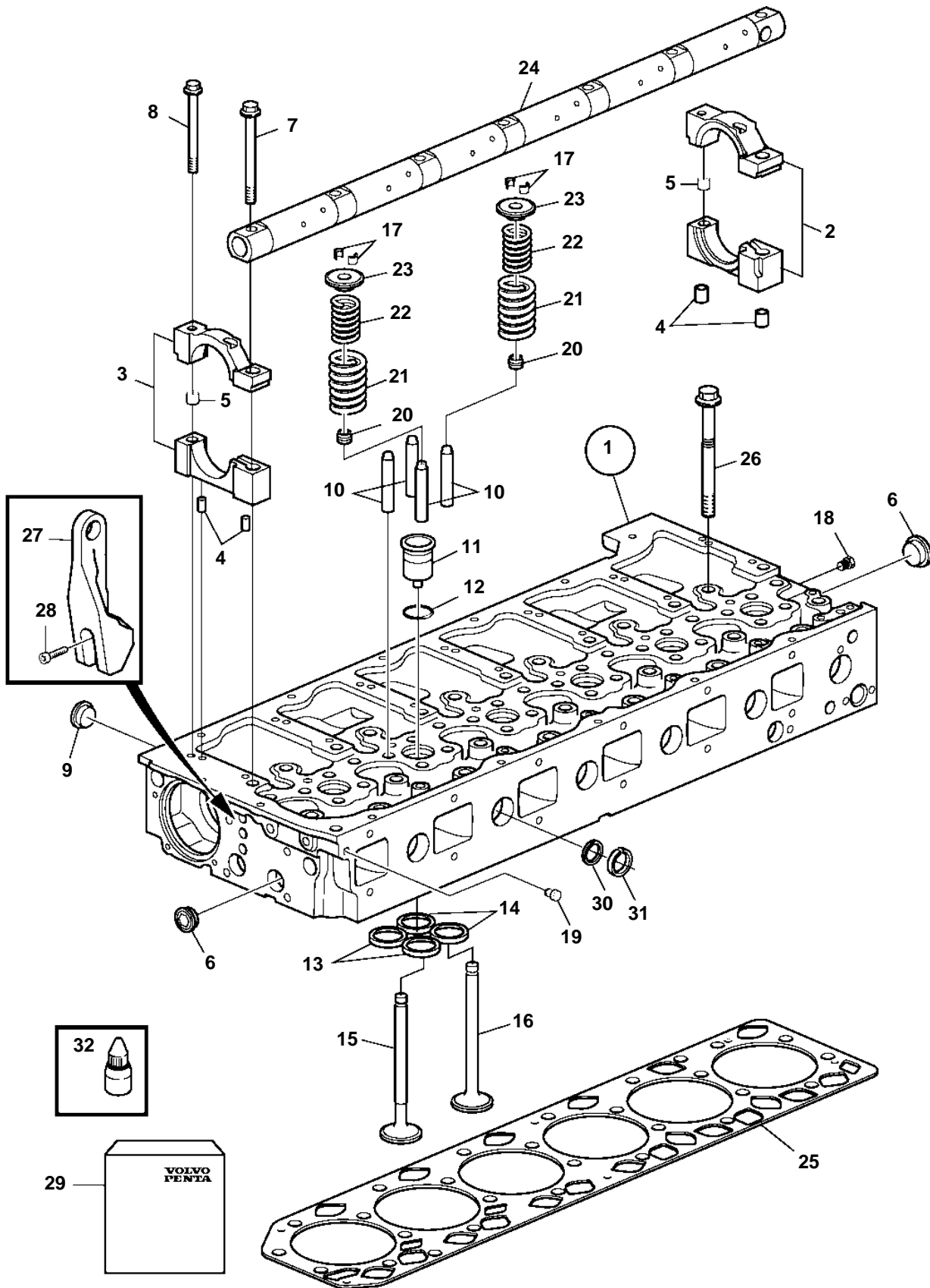


D9A2A D9-425, D9A2A D9-500 (R4), D9A2A D9-575, D9A2B 425, D9A2B D9-500 (R5), D9A2B D9-575, D9A2E D9-425, D9A2F D9-575



D9A2A D9-425, D9A2A D9-500 (R4), D9A2A D9-575, D9A2B 425, D9A2B D9-500 (R5), D9A2B D9-575, D9A2E D9-425, D9A2F D9-575

REF	PART NO.	QTY	DESCRIPTION	SEE SEC.	NOTES
1	3803841	1	Cylinder head, exch		
2	3161082	1	· Bearing housing		
3	3161079	6	· Bearing housing		
4	422426	2	· · Pin		
5	950542	1	· · Pin		
6	24426721	5	· Cap plug		
7	20412482	7	· Flange screw		
8	975105	7	· Flange screw		
9	24426722	11	· Cap plug		
10	20905400	24	· Valve guide		
11	85104134	6	· Copper sleeve kit	(3183368)	
12	20536487	6	· · O-ring		
13	20555102	12	· Valve seat, intake		
14	20574175	12	· Valve seat, exhaust		
15	3836280	12	· Inlet valve		Singelgroove valve replaced by multigroove valve 3817674, spring washer 20510743 and valve collet 20510747.
	3817674	12	· Inlet valve		
16	3809943	12	· Exhaust valve		Singelgroove valve replaced by multigroove valve 3817672, spring washer 20510743 and valve collet 20510747.
	3817672	12	· Exhaust valve		
17	20510747	48	· Valve cotter		For valves with single groove order valve collet 1677875.
18	968062	2	· Plug		
19	968060	1	· Plug		
20	859171	24	· Valve stem seal		
21	3183210	24	· Valve spring		
22	3183211	24	· Valve spring		
23	20510743	24	· Valve spring washer		For valves with single groove order spring washer 20464946.
24		1	Rocker arm shaft	7593	
25	20495935	1	Cylinder head gasket		
26	21345131	26	Screw		
27		1	Lifting eye		
28	966789	3	Hex. socket screw		
29	3843449	1	Cylinder head gasket		SEE GROUP 99
	3595296	1	Service kit		
30		2	· Bushing		
31	469982	2	· Sealing ring		
32	1161053	1	· Locking fluid		