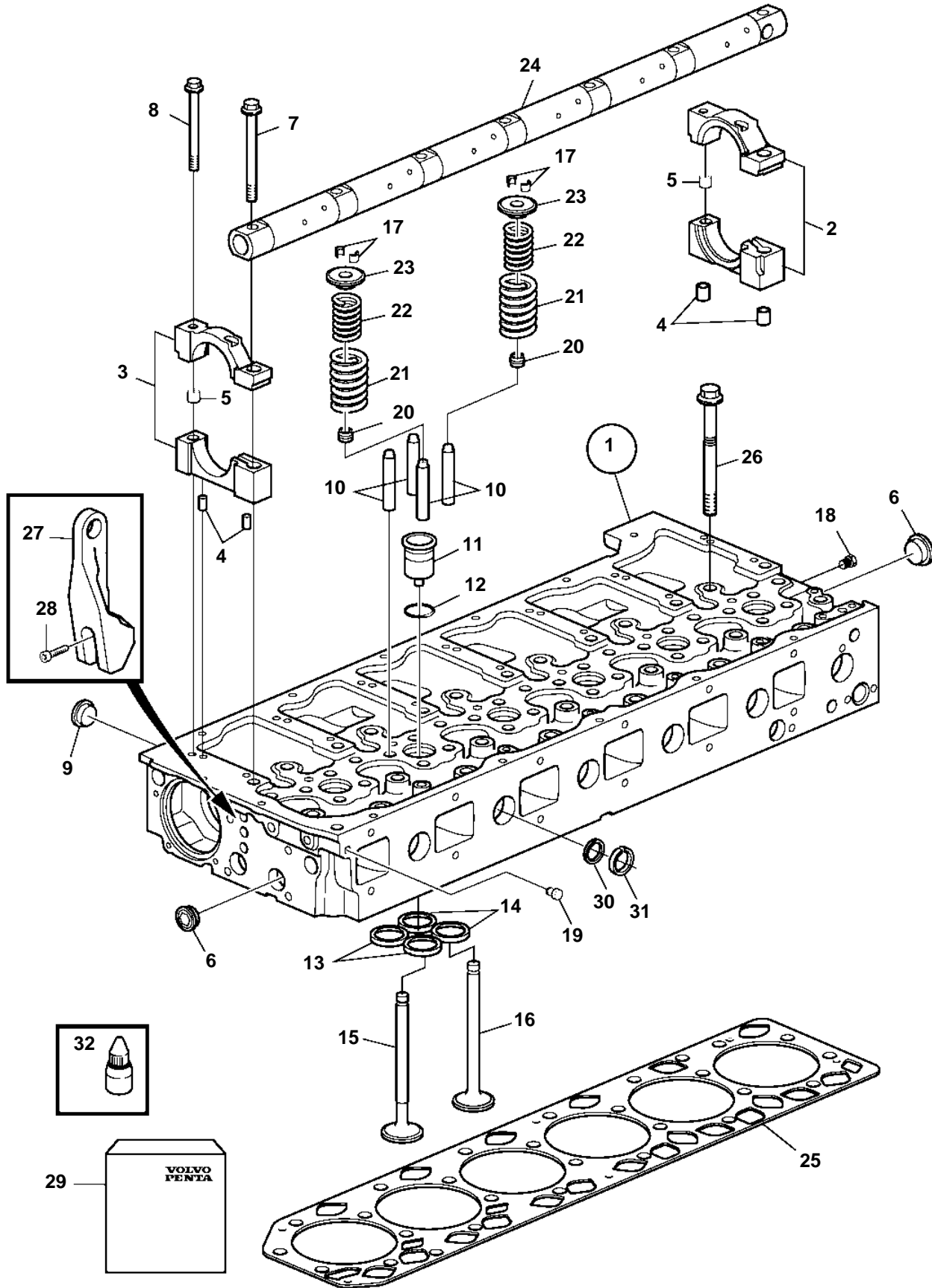


D9A2A D9A-MH, D9A2B MH



D9A2A D9A-MH, D9A2B MH

REF	PART NO.	QTY	DESCRIPTION	NOTES
1	3803886	1	Cylinder head, exch	
2	3161082	1	· Bearing housing	
3	3161079	6	· Bearing housing	
4	422426	2	· · Pin	
5	950542	1	· · Pin	
6	24426721	5	· Cap plug	
7	20412482	7	· Flange screw	
8	975105	7	· Flange screw	
9	24426722	11	· Cap plug	
10	20905400	24	· Valve guide	
11	3183368	6	· Sleeve	
12	20536487	6	· O-ring	
13	20555102	12	· Valve seat, intake	
14	20555104	12	· Valve seat, exhaust	
15	3836280	12	· Inlet valve	Singelgroove valve replaced by multigroove valve 3817674, spring washer 20510743 and valve collet 20510747.
	3817674	12	· Inlet valve	
16	3836281	12	· Exhaust valve	Singelgroove valve replaced by multigroove valve 3818985, spring washer 20510743 and valve collet 20510747.
	3818985	12	· Exhaust valve	
	20510747	48	· Valve cotter	For valves with single groove order valve collet 1677875.
17	968062	2	· Plug	
18	968060	1	· Plug	
19	859171	24	· Valve stem seal	
20	3183210	24	· Valve spring	
21	3183211	24	· Valve spring	
22	20510743	24	· Valve spring washer	For valves with single groove order spring washer 20464946.
23		1	Rocker arm shaft	
24	20495935	1	Cylinder head gasket	
25	21345131	26	Screw	
26		1	Lifting eye	
27	966789	3	Hex. socket screw	
28	3843449	1	Cylinder head gasket	SEE GROUP 99
29	3595296	1	Service kit	
30		2	Bushing	
31	469982	2	Sealing ring	
32	1161053	1	Locking fluid	