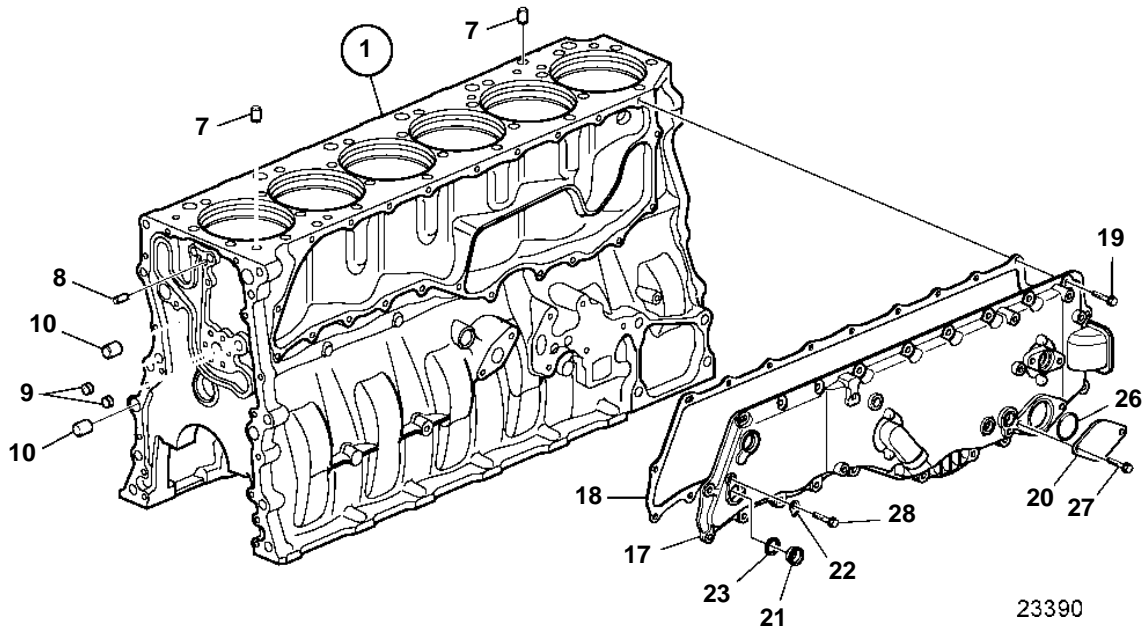
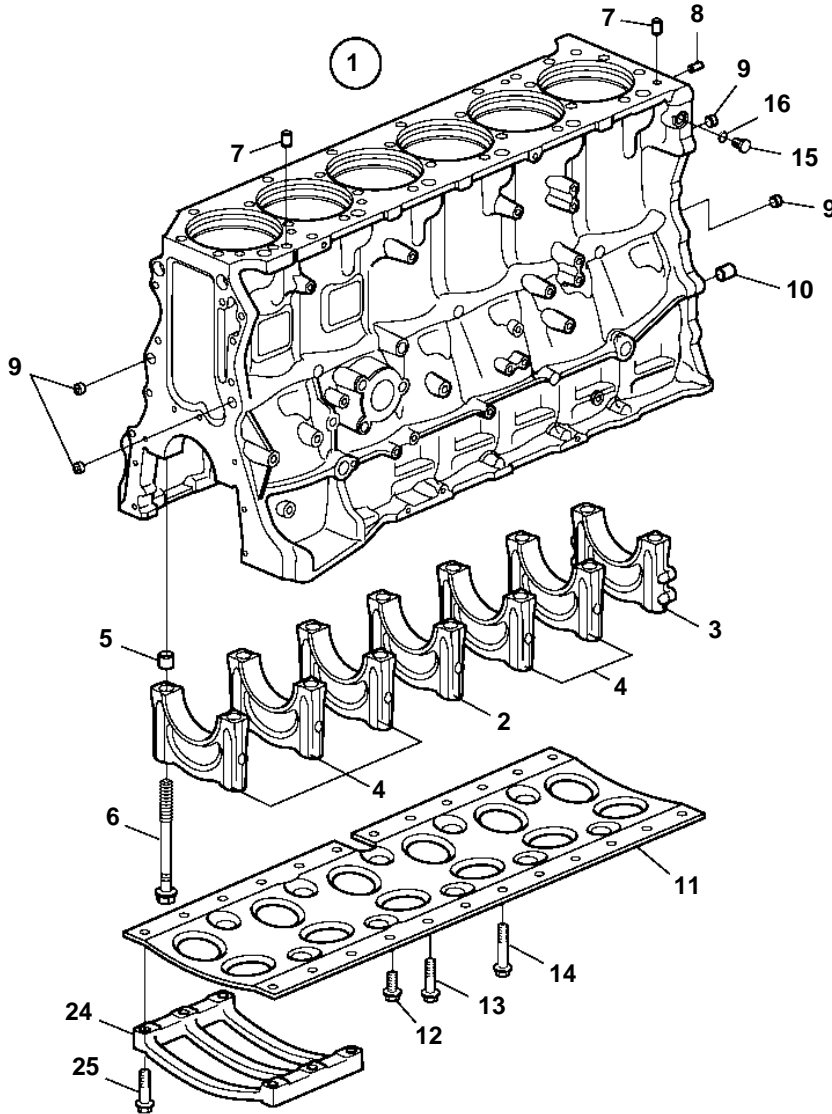


D9A2B 425, D9A2B D9-500 (R5), D9A2B D9-575, D9A2B MH



D9A2B 425, D9A2B D9-500 (R5), D9A2B D9-575, D9A2B MH

REF	PART NO.	QTY	DESCRIPTION	NOTES
1	24426731	1	Cylinder block	
2		1	· Main bearing cap	
3		1	· Main bearing cap	
4		5	· Main bearing cap	
5		14	· Guide sleeve	
6	1547040	14	· Screw	
7	20485996	2	Guide sleeve	
8	950588	1	Pin	
9	984793	5	Plug	
10	8131145	2	Guide sleeve	
11	20533652	1	Frame	
12	946472	10	Flange screw	M10x30mm
13	965186	4	Flange screw	M10x50mm
14	947790	4	Flange screw	M10x80mm
15	960629	1	Plug	M12x12mm
16	11994	1	Gasket	
17	20910025	1	Cover	
18	20584639	1	Sealing strip	
19	946671	22	Flange screw	
20		1	Flange	
21	1546528	1	Plug	
22	20718731	1	Yoke	
23	1547252	1	Sealing ring	
24	3836277	1	Reinforcement	
25	975103	6	Flange screw	
26	975675	1	O-ring	
27	945444	2	Flange screw	
28	946173	1	Flange screw	