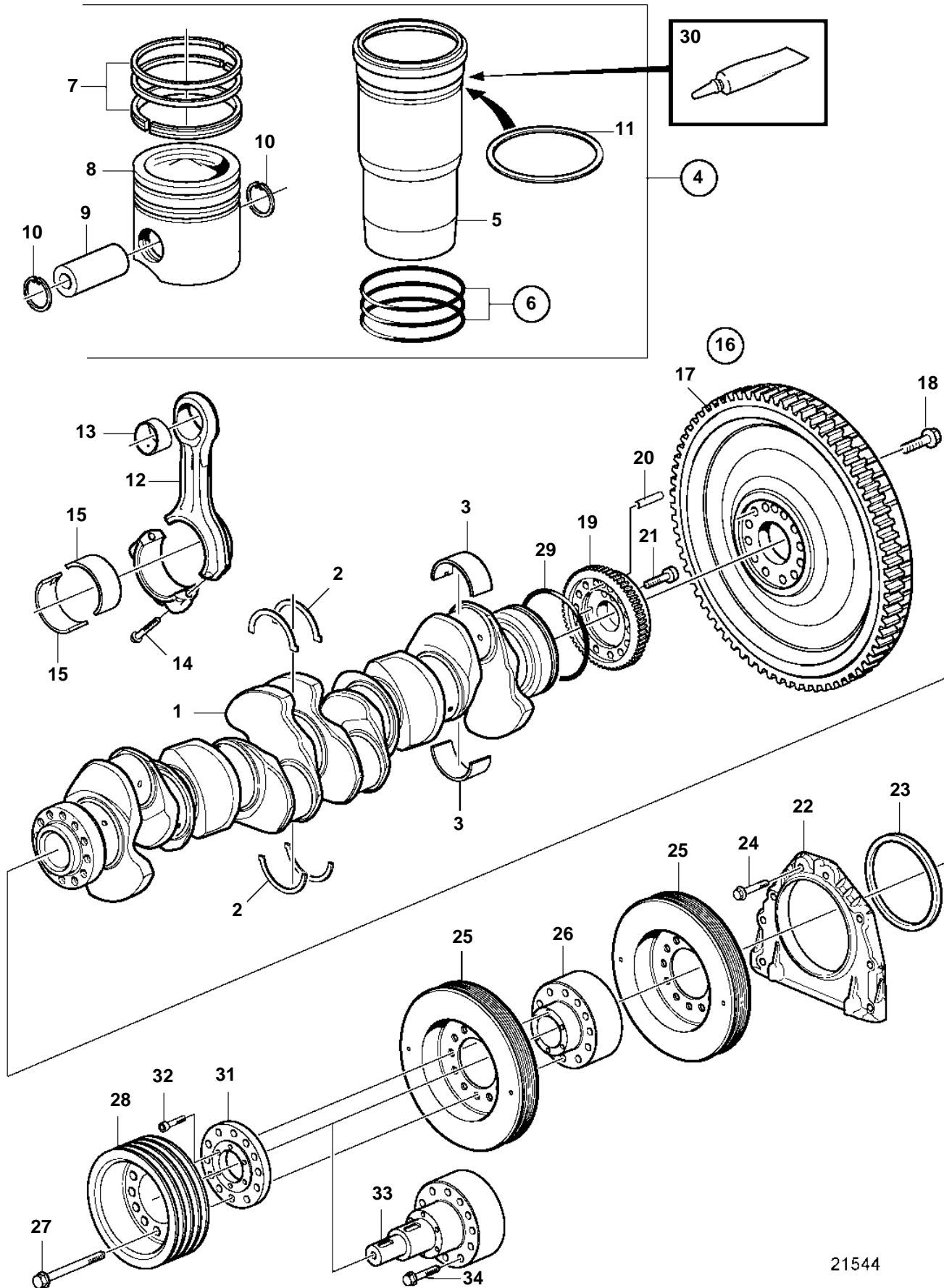


D9A2A D9-425, D9A2A D9-500 (R4), D9A2A D9-575, D9A2B 425, D9A2B D9-500 (R5), D9A2B D9-575



21544

D9A2A D9-425, D9A2A D9-500 (R4), D9A2A D9-575, D9A2B 425, D9A2B D9-500 (R5), D9A2B D9-575

REF	PART NO.	QTY	DESCRIPTION	NOTES
1	8148110	1	Crankshaft	
2	3093651	1	Thrust washer	Std
	3093652	1	Thrust washer	O.S=00,1mm
	3093653	1	Thrust washer	O.S=0,20mm
	3093654	1	Bearing shield	O.S=0,30mm
3	20867178	7	Main bearing kit	STD (85103707)
	85103708	7	Main bearing kit	O.S=0,25mm
	85103709	7	Main bearing kit	O.S=0,50mm
	85103711	7	Main bearing kit	O.D=1,0mm
4	3817084	6	Cylinder liner kit	SN-7009114518
	3886775	6	Cylinder liner kit	SN7009114519-
5		1	· Cylinder liner	
6	85103699	1	· Sealing kit	
		1	· · Sealing ring	UPPER
		1	· · Sealing ring	LOWER
		1	· · Sealing ring	
7	20463853	X	· Shim	TH = 0,2mm
	20463854	X	· Shim	TH = 0,3mm
	20463855	X	· Shim	TH = 0,5mm
8	3817086	1	· Piston ring kit	SN-7009114518
	3886774	1	· Piston ring kit	SN7009114519-
		1	· · Compression ring	UPPER
		1	· · Compression ring	LOWER
		1	· · Oil scraper ring	
9		1	· Piston	
10	3161285	1	· Piston pin	
11	3161087	2	· Snap ring	
12	20730038	6	Connecting rod	
13	20583429	6	· Bushing	
14	8192804	24	· Screw	
15	85103713	6	Big-end bearing kit	Std
	85103714	6	Big-end bearing kit	O.S=0,25mm
	85103715	6	Big-end bearing kit	O.S=0,50mm
	85103717	6	Big-end bearing kit	O.D=1,0mm
16	3838895	1	Flywheel	
17	3838729	1	· Gear ring	
18	21340868	12	Screw	
19	8148111	1	Gear	
20	950658	1	Pin	
21	941761	2	Hex. socket screw	
22	20777233	1	Cover	
23	85108423	1	· Crankshaft seal	
24	946671	8	Flange screw	
25	3847678	2	Vibration damper	
26	3586634	1	Spacer ring	
27	965192	12	Flange screw	
28	3837937	1	Pulley	
29	949736	1	O-ring	
30	1161231	X	Sealant	304ml
	1161277	X	Sealant	20g
31	3809765	1	Spacer ring	
32	959223	6	Hex. socket screw	
33	3809301	1	Stub axle	
34	965196	12	Flange screw	For stub shaft 3809301.